



Compact Contact Center V5

Installation

Table Of Contents

Introduction	1
General	1
Use of this Manual	2
About this Manual	2
Overview of CCC	3
Twenty Five Agent Systems and below	4
Systems above Twenty Five Agents	6
Installation Of CCC Components.....	7
Introduction	7
Standalone Server & Agent PCs	7
Server, Client & Agent PCs	8
Server Pre-requisites	9
Server Hardware Requirements	9
Software Requirements for CCC Server(s)	9
Windows 2000/3 Modifications	9
IIS Installation	10
Event Log Settings	11
Install Database Application	12
Installation of CCC Components	13
Server PC Installation	14
Access Permissions	17
Logon Requirements	18
Client Pre-requisites	19
Client Hardware Specifications	19
Software Requirements for CCC Client(s)	19
Client Software Modifications	19
Client PCs Installation	19
Agent PCs Installation	19
IP Office Requirements.....	21
Overview	21
CCC Licenses	21
Entering License Keys	22
Naming Directory Numbers	23
Mailbox Set-up	23
Group Reporting	23
IP Office in the Contact Center Environment	23
Call Center View and Wallboard Manager	24
Report Manager	24
CCC reporting associated with Voice Mail Pro	24
Login Codes	24
Wallboard Installation & Maintenance.....	25
Introduction	25
Ferrograph Wallboard 10	25
Introduction - Ferrograph Wallboard 10	25
Wall Mounting	26
Ceiling Mounting	27
Serial Connection and Configuration	28
Dip-switch Number	29
Baud Rate	29
Test Functions	30
System Wiring	30
RS485	30
Periodic Maintenance & Inspection	31
Ferrograph Wallboard 22	32
Introduction - Ferrograph Wallboard 22	32

Installation.....	33
Wall Mounting	33
Ceiling Mounting	34
RS485 Serial Connection.....	34
Network Addressing.....	34
Additional Equipment.....	34
Connection Details.....	35
Compatible External Devices.....	35
Periodic Maintenance & Inspection.....	36
Serial Connection & Dip Switch Settings	36
RS485 Communication System	38
Spectrum 4120C Wallboard	39
Introduction - Spectrum 4120C	39
Advatel TCD226C Wallboard	40
Introduction - AdvaTel TCD226C.....	40
Hardware Connections	41
PC Communications - Serial Port.....	41
Daisy Chain.....	42
Wallboard ID and Bleeper Volume Control	42
CCC Wallboard Installation	43
CCC Wallboard Installation.....	43
Wallboard Properties	44
Check Wallboard Operation.....	44
View Active PC Wallboard	44
User Access	45
Starting CCC User Access	45
Delta Server	46
Delta Server Introduction.....	46
Launching Delta Server	46
Upgrade Procedure.....	47
Overview.....	47
MSDE Upgrade	48
Backup Your Database.....	49
Backup CCC files	51
Database Uplift.....	51
Install CCCv5 Applications	52
Client Upgrade.....	54
Upgrade to SQL 2000 Procedure	55
Trouble Shooting	57
CCC Installation.....	57
Wallboard Server/Client.....	57
Index.....	59

Introduction

General

Compact Contact Center (CCC) modules provide the user with the necessary tools to facilitate the management of call traffic. They are designed to provide a tightly integrated real time and historic reporting package and wallboard support for the eBusiness digital communications platform. The product consists of a set of fully integrated modules sharing a common database utilizing Interactive Directory and Database (IDD) technology.

The suite of modules consists of the following applications:

- **Call Center View (CCV):**
Provides a realtime management package for telephone based staff and supports any size Customer Facing Department (CFD) or contact center. To effectively control customer service levels, real time human resource management is essential and the Call Center View has been specially designed to manage the CFD's or contact center's most valuable and expensive asset – it's people.
- **Call Center View Alarm Reporter:**
Provides real time & 7 day historic information (for each Contact Center Profile) about alarms that have occurred within the Compact Contact Center. The detailed alarm information for each directory number is presented in report format, which can then be printed.
- **Wallboard Manager:**
Real time information from the call center is essential to react to constantly changing telephone traffic levels and provide excellent customer service. Wallboards allow managers and staff to monitor the service being provided and respond immediately. Wallboards provide current information on the number of calls waiting, response times and service levels. Wallboard Manager provides the ability to drive physical wallboards and PC wallboards.
- **PC Wallboard:**
The PC Wallboard delivers traditional wall mounted wallboard functionality to the desktop but with the additional benefit of each PC Wallboard agent being able to configure and monitor a personalized view of the contact center. The PC Wallboard also enables agents to increase their productivity and maintain revenue levels with the added benefit of managing customer callback requests.
- **Report Manager:**
Provides in depth historical reporting on CFD or contact center activity. In addition to call information, the Report Manager also reports agent activity. This powerful package allows individual call records to be stored and reported upon months later.
- **CCC User Access:**
CCC User Access allows storage of personal Call Center View and Wallboard settings. It also establishes user rights and password protection for Call Center View, Wallboard and Alarm Reporter software.
- **Workforce Management – Blue Pumpkin:**
Workforce Management Interface allows integrated rostering, forecasting and scheduling systems to connect across the LAN to a comma separated variable (CSV) file containing a list of Contact Center related metrics.
- **MultiMedia Module:**
MultiMedia Module (MMM), is a customer contact software solution that enables companies and departments to manage multimedia contacts into and out of the organization. MMM provides applications that manage Telephony, E-mail and Web Call Back communications. For installation of MultiMedia Module, refer to the separate Installation Manual.

Use of this Manual

This manual covers the installation and administration of Avaya's Compact Contact Center (CCC) at software Level 5.0+ on the following communications platforms:

- IP403/406/406V2/412 Office platforms operating Software Level 2.1+

WARNING - When using Office platforms operating software Level 3.0+, CCC 5.0 must not have the Key and Lamp functionality operational.

- This Manual does not cover the Installation of CCC 4.0 software.

This guide is intended for use by installers and administrators who are familiar with the relevant communications platform and have successfully completed the appropriate training courses.



Ensure that you have read and understood this Manual before beginning installation.

About this Manual

This manual provides the information necessary to set up, install and perform basic set-up on CCC modules. The following overview defines the sequence of actions that **must be performed** to install CCC modules:

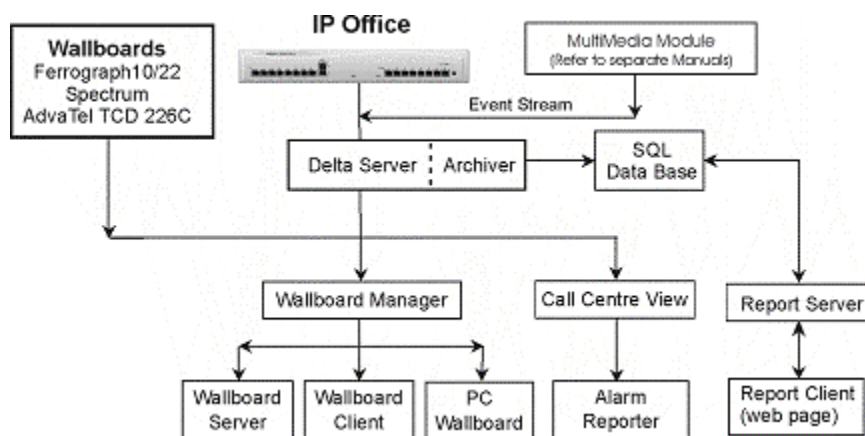
1. Check the pre-requisites for all Server/Client PCs.
2. Install the required CCC applications on the Server, Client and Agent PCs.
3. Define and set up the [IP Office requirements](#).
4. Install the [CCC Licenses](#) on the IP Office.
5. Install the [Wallboards](#) (optional)
6. Upgrade the Database to [SQL 2000](#) (optional).

Once installation has been completed, the following manuals provide the details for administrating and operating the CCC.

- CCC System Administrators Manual
- Alarm Reporter
- Call Center View
- Reporter
- Report Designer
- Wallboard Manager
- PC Wallboard
- Workforce Management Interface
- PC Wallboard Quick Reference Guide

Overview of CCC

Avaya's Compact Contact Center (CCC) provides the user with the necessary tools to facilitate the management of call traffic. The diagram below shows the concept:



Installation of CCC on IP Office requires [licenses](#) to enable the various modules. For systems of up to [25 agents](#)* the CCC modules can be installed on a stand-alone Server PC. For systems of [more than 25 agents](#) the Server and Client functions must reside on separate PCs.

CCC can support up to 75 agents. There can be up to 21 supervisor positions that can use the Call Center View, Wallboard Client and Reporting applications.

***Note:** An **AGENT** is defined as a person who makes or receives calls and has 'logged on' to the system, e.g. has a 'forced log on' status on the switch.

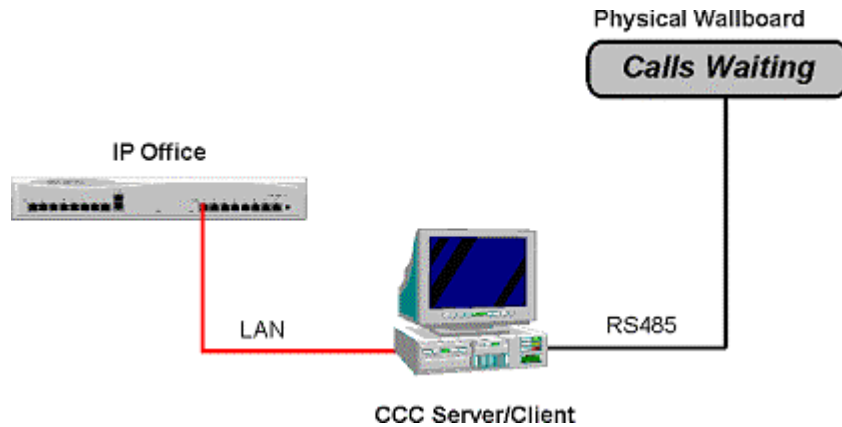
Twenty Five Agent Systems and below

The Compact Contact Center comprises a suite of tightly integrated modules installed on a Server PC platform running Windows 2000/2003. The CCC may be installed either with or without Voicemail Pro. The following lists the modules included within the CCC which are designed to run concurrently on the Server PC:-

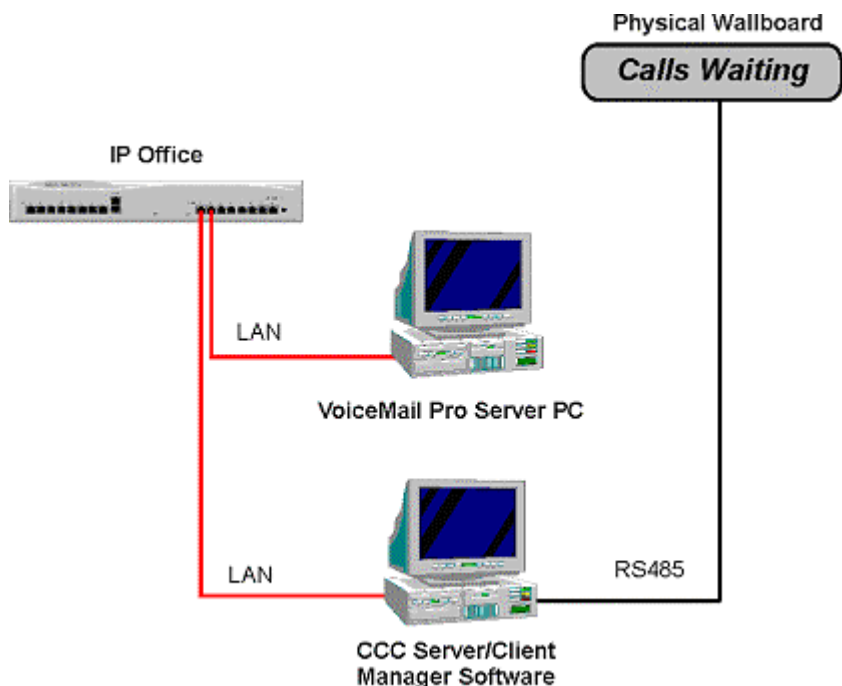
- **CCC Server PC**

- Delta Server
- Call Center View
- PC Wallboard
- Wallboard Server
Note: If Wallboard Server is installed, Wallboard Client should not be installed.
- Reporter
- Report Server and Client
- CCV Alarm Reporter
- Voice Processing Administration (if Voice Mail Pro is present).

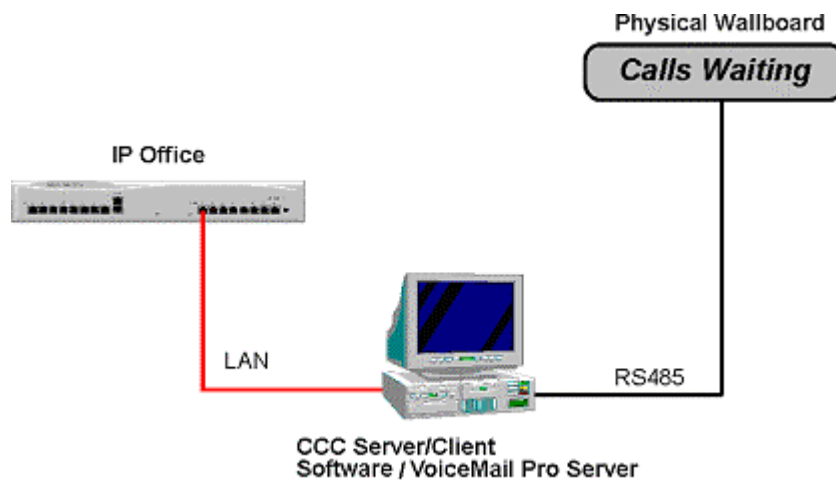
The following diagram shows the Compact Contact Center connectivity (for systems of 25 agents and below) **without** Voicemail Pro.



The following diagram shows the Compact Contact Center connectivity (for systems of 25 agents and below) **with** Voicemail Pro.



The following diagram shows the Compact Contact Center connectivity (for systems of 25 agents and below) **with** Voicemail Pro and CCC on the same server.



The following thresholds are applied to the CCC and Voicemail Pro on the same server.

- Maximum number of Agents = 25
- Maximum number of Voicemail Pro Ports = 8
- Maximum call traffic = 1000 calls per 8 hour working day.

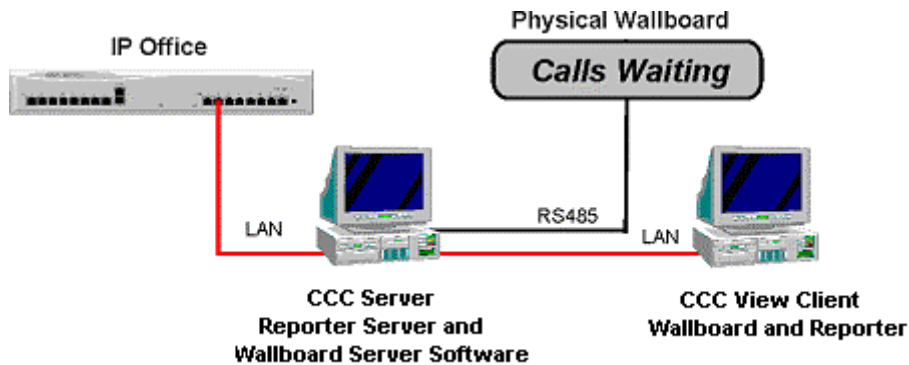
Systems above Twenty Five Agents

The Compact Contact Center supports up to 21 supervisor positions, known as Client PC's. It may be installed either with or without a Voicemail Pro. For CCC systems above 25 agents, Microsoft SQL 2000 is recommended. See [Install Database Application](#) for more information.

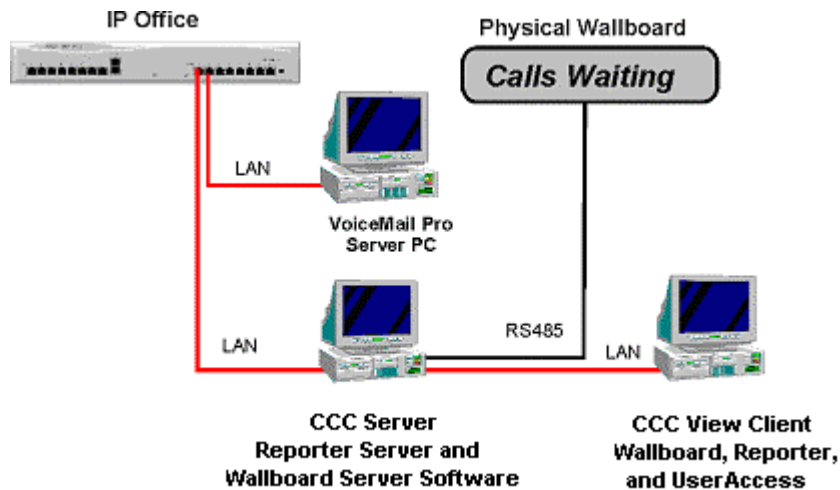
The following details where the applications reside:

Client PC	Server PC
Call Center View	Delta Server
Wallboard Client	Report Server
Report Client	Wallboard Server
PC Wallboard	Database Server Supervisor
CCV Alarm Reporter	Workforce Management (Optional).

The diagram below shows the Compact Contact Center **without** a Voicemail Pro being installed.



The diagram below shows the Compact Contact Center Manager **with** a Voicemail Pro.



Installation Of CCC Components

Introduction

This section describes the procedures of installing the software for the Compact Contact Center suite. **Do not** begin installation before you have read and performed **all** the Server & Client Pre-requisites.

Standalone Server & Agent PCs

If you have less than 25 agents, the Server and Client components can be installed on the same PC. The Supervisor will use the Client components on the Server PC.

Standalone Server PC	Agents PCs
Call Center View (<i>Application</i>)	PC Wallboard
PC Wallboard (<i>Application</i>)	
Wallboard Server (<i>Application</i>)	
Delta Server (<i>Application</i>)	
Report Server (<i>Installs historic database</i>)	
Report Client (<i>Installs CCC Reporter</i>)	
Database Server Supervisor (<i>Allows maintenance plans to be created, backed up and restored</i>)	
Report SDK (<i>Used when designing custom reports in Crystal Reports</i>)	
CCV Alarm Reporter (<i>Application</i>)	
Workforce Management Interface (<i>Application</i>)	

Server, Client & Agent PCs

If you have a CCC installation of more than 25 agents, then the Server must be on a separate PC (serving up to five Client PCs also known as Supervisor positions).

Server PC	Client PC (Supervisor Position)	Agents PCs
Wallboard Server (<i>Application</i>)	Call Center View (<i>Application</i>)	PC Wallboard
Delta Server (<i>Application</i>)	PC Wallboard (<i>Application</i>)	
Report Server (<i>Installs historic database</i>)	Wallboard Client (<i>Application</i>)	
Database Server Supervisor (<i>Allows maintenance plans to be created, backed up and restored</i>)	Report Client (<i>Installs CCC Reporter</i>)	
Report SDK (<i>Used when designing Crystal Reports</i>)	CCV Alarm Reporter (<i>Application</i>)	
Workforce Management Interface (<i>Application</i>)		

Notes:

- If the Wallboard Server is installed then the Wallboard Client is not required.
- Report Server is not available for installation until [IIS has been installed](#).
- The Database Server Supervisor requires MSDE/SQL.

Server Pre-requisites

Server Hardware Requirements

Each Server PC **must** meet the minimum requirements as follows:-

- Pentium 4 2.8GHz or higher, with a 7,200rpm, Min 10GByte hard disk.
- 512 Mbytes of RAM.

Monitor: 15" (or optional 17") SVGA supporting 800x600.

Network Interface Card:

Keyboard: Win 2000/2003 Compatible.

Floppy Disk Drive A: 3.5" 1.44 Mb high density.

CD ROM Drive:

Backup Device: Minimum 30GB Digital Drive (optional).

Software Requirements for CCC Server(s)

The CCC Server needs one of the following operating systems installed.

- Microsoft Windows 2000 Server (SP3 or above)
- Microsoft Windows 2003 Server

Make sure that the operating system has had all the Windows critical updates installed and that the following programs have been installed.

- Internet Explorer 5.5 (SP1) or above. If this has come pre-loaded, please check that the version is 5.5 or above.

Before loading the CCC software the pre-installation requirements need to be completed. These are listed below and detailed on the following pages.

- Modify the [operating system](#).
- Install [Internet Information Services](#) (IIS). If this has been pre-loaded, please check that the version is 1.1 or above.
Note: It is vital that IIS is installed prior to .NET. If these are installed in the wrong order, remove .NET (Add/Remove programs) and then re-install.
- Install ASP.NET if using a Windows 2003 Server
- Amend the [Event Log settings](#)
- Install the [database](#).
- MS Outlook needs to be installed if the Delta Server email error notification is going to be used.

Windows 2000/3 Modifications

On a machine with Windows 2000/3 already installed you **must perform** all of the following:-

1. The network protocol must have TCP/IP enabled.
2. Ensure that the Regional Options are set [e.g. for USA set it to English (United States)] and that the Time is set to local time.
3. Make sure that the screen display properties have been set to the following:
 - Desktop area is set to 800 by 600 pixels.
 - Color palette is set to True Color (32 Bit).

Caution: It is recommended that the CCC Server is not used as a Domain Controller. If it is it could cause server application errors.

IIS Installation

To install IIS on a **Windows 2000** operating system:

1. Click **Start**, highlight **Settings** and then click **Control Panel**.
2. Double click the **Add/Remove Programs** icon.
3. Click the **Add/Remove Windows Components** button.
4. Select **Internet Information Services (IIS)**
5. Click the **Details** button. Ensure that **World Wide Web Server** is selected and click **OK**.
6. Click **Next** to begin the installation.

Note: The original Operating System media CD may be required.

To install IIS and ASP.NET on a **Windows 2003** operating system:

1. Click **Start**, highlight **Settings** and then click **Control Panel**.
2. Double click the **Add/Remove Programs** icon.
3. Click the **Add/Remove Windows Components** button.
4. Select **Application Server**
5. Click the **Details** button.
6. Make sure that **ASP.NET** is selected.
7. Make sure that **Internet Information Services (IIS)** is ticked and highlighted.
8. Click the **Details** button.
9. Ensure that **World Wide Web Server** is selected and click **OK**.
10. Click the **Details** button.
11. Ensure that **World Wide Web Server** is checked.
12. Click **OK** to return to the Internet Information Services (IIS) screen.
13. Click **OK** to return to the Application Server Screen
14. Click **Ok** to return to the Windows Components screen.
15. Click **Next** to being the installation.

Note: The original Operating System media CD may be required.

Event Log Settings

The Event Log settings are altered through the Windows Event Viewer.

For Windows 2000:

1. Right mouse click on the **My Computers** Icon. Select **Manage**.
2. Expand the Event Viewer folder.
3. Right mouse click on **Application** and select **properties**.
In the Log size section select **Overwrite events as needed**.
Click on **Apply** and then **OK**.
4. Right mouse click on **Security** and select **properties**.
In the Log size section select **Overwrite events as needed**.
Click on **Apply** and then **OK**.
5. Right mouse click on **System** and select **properties**.
In the Log size section select **Overwrite events as needed**.
Click on **Apply** and then **OK**.
6. Close all open windows.

For Windows 2003

In Classic View:

1. Click Start, highlight Programs and then Administrative Tools.
2. Click on Event Viewer.
3. In the left hand pane, right click on **System** and select **Properties**.
Check **Overwrite Events as needed**.
4. In the left hand pane, right click on **Security** and select **Properties**.
Check **Overwrite Events as needed**.
5. In the left hand pane, right click on **Application** and select **Properties**.
Check **Overwrite Events as needed**.
6. Click **OK** and exit the Event Viewer.

Install Database Application

Database Selection

For CCC systems above 25 agents, Microsoft SQL 2000 is recommended. MSDE 2000 can also be used for CCC systems above 25 agents. However, you may experience performance degradation if your call traffic is particularly high. If you are expecting high call traffic Avaya recommends you use Microsoft SQL 2000.

For systems which use MMM, SQL 2000 is a mandatory requirement.

MSDE 2000 (or above) Installation

When using MSDE 2000 (or above) there is a maximum storage capacity of 2Gb. It is recommended that when more than 5 concurrent Report Viewer connections are required that SQL 2000 (or above) should be used as the database engine and not MSDE.

1. Insert the CCC Installation CD into the drive.
 2. From the Windows taskbar click **Start**, select **Run** and then click on the **Browse** button.
 3. View the CD drive and double click the **MSDE** folder. Select **MSDEInstSP.exe** and double click to start the installation.
 4. Select the required language for the installation and click **OK** to continue.
 5. Enter and confirm your password for the sa database. The password for this is NMYSBH. Do not check 'Windows Authentication'.
 6. Click the **OK** button. The installation could take up to 20 minutes.
 7. Once the setup is complete, reboot the PC when requested.
-

Microsoft SQL 2000 (or above) Server Installation

SQL 2000 (or above) must be used instead of MSDE 2000 (or above) on systems over 25 agents and on systems utilizing MMM. The software is not supplied as part of CCC so it will have to be purchased separately. Follow the installation instructions provided with the software. The software includes Enterprise Manager tools that can be used to control the MSDE database. If MSDE 2000 (or above) is installed you are able to [upgrade to SQL 2000](#) at a later date.

Installation of CCC Components

When all the [installation pre-requisites](#) have been performed, commence CCC Application installation on the Server, then the Client PCs and finally the optional PC wallboard application on the Agents PCs.

Note: Only install CCC Components on a Server PC that is operating either as a *local machine* or within a *domain*. Do not spread the installation over both.

The following information is required during the installation process.

- IP Office Address.
- CCC Server Name - The name of the machine that CCC is being installed on.
- SMTP Server Name and Email Address - Required if reports are being distributed by email.
- CRM Host Name.
- SQL Server Name - The name of the machine that the database is installed on.

Note: to find the name of a machine, right mouse click on the My Computers icon and select the Properties option. The full computer name is shown on the network identification tab.

Server PC Installation

Note: The installation described below is based on installing the software for a standalone server.

Depending on the components being installed all or only some of the options described will appear e.g. steps 10, 11, 12 and 14 only occur if Report Server is selected.

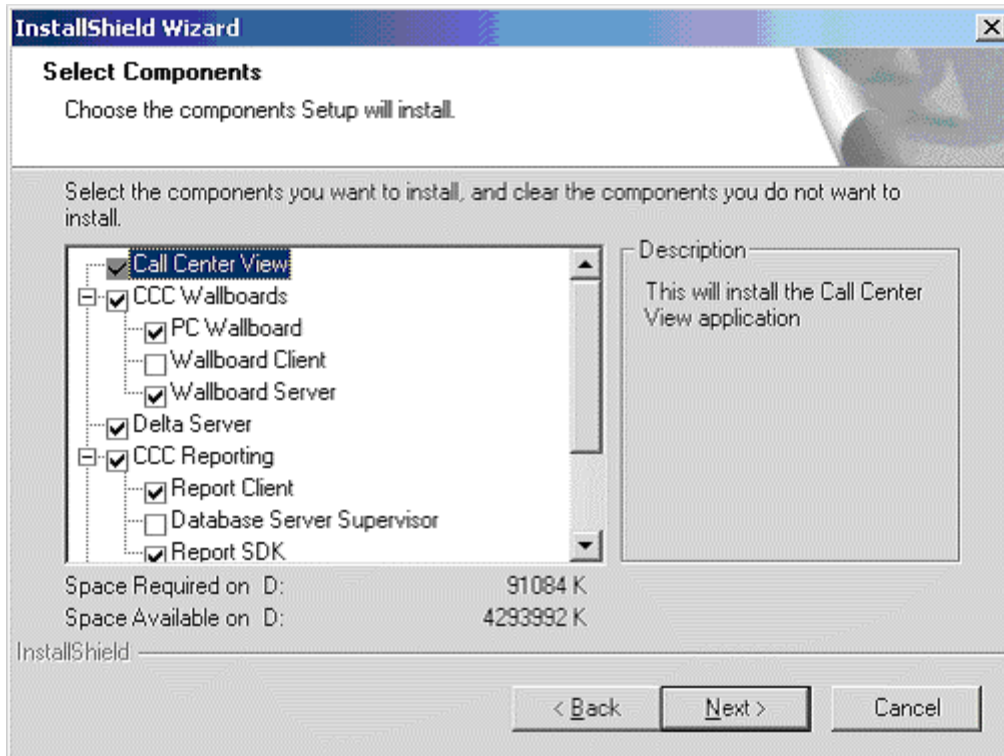
To install the required CCC applications on the Server PC, perform the following:-

1. With Windows running, insert the **Application CD** into the CD Drive. Use the My Computer facility to view the CD drive. Within the CCC Folder, find and double click on **Setup.exe**.
2. Choose the appropriate setup language and click on **OK**.
3. The InstallShield Wizard will run.
4. If the installation is being carried out on a Windows 2000 server a message will appear asking if Microsoft.Net Framework 1.1 package should be installed. This software is required for CCC reporting. If reporting is not required click NO and continue from step 5. To install the software click Yes.

A license agreement screen will appear. Read through the agreement and then select the option **I Agree** and click **Install**. Microsoft.Net Framework 1.1 files will be installed.

At the message 'Installation of Microsoft .NET Framework 1.1 is complete', click **OK** to continue.

5. At the Welcome screen click on **Next** to continue.
6. Choose the destination location. The **Browse** button allows the location for installation to be selected if the default is not required. The default location is C:\Program Files\Avaya\IP Office\CCC. Click **Next** to continue.
7. The Select Components menu is displayed:



8. Choose the appropriate applications for your Server/Client configuration (check/un-check as required). Use the scroll bar to view the Report SDK, CCV Alarm Reporter, Workforce Management - Blue Pumpkin and MultiMedia Module (Interaction Manager) applications. For installation of the MultiMedia Module, refer to the separate installation manual.
9. Click **Next** to continue. The installation of the requested setup will start.

10. If you have chosen to install the Report Server you will be asked *You are about to configure an Archiver to 2000MB do you wish to continue?* Click **Yes**.
11. Installation will start. A message will appear showing that the database devices are being created.
12. The CCC Reporting Admin Console menu is displayed. The application window contains a number of tabs that enable various configuration settings to be specified for the report server windows service and web application to run correctly. The CRM and Email tabs only need to be completed if applicable. The information required for each tab is described below.
Caution: Do not click the Update button until you have checked the data in all five tabs.
 - **PBX tab**
Enter the IP Address of the IP Office that contains the licence information.
 - **Database tab**
Allows the name of the machine containing the call data database to be entered as well as the authentication required. If SQL Server authentication and the database user id fields are left empty then the default name SDXArchiver is used for connecting to the database. If you have connected to a different Database Server, enter the name and password of the new target. For the SQL Server Security field, enter both the name and password entered whilst installing MSDE 2000. (The defaults are sa and NMYSBH). Either accept the default settings for the Database Server/Name field or, if you have connected to a different Database Server, enter the name and password you changed to.
 - **CRM Tab**
Either accept the default or change the CRM Host name to that of the CRM Server if not on this PC. Make sure that the date and time formats that are used by the MSCRM as specified in the Calendar tab of the system settings dialog are correct. The date and time formats must be set correctly so that any reports that contain date and time information from MSCRM run correctly. The CRM Server must be licensed.
 - **Email Tab**
Enter the name for the SMTP Server (if the Server is on this PC enter 'localhost'). Also enter the CCC user's email address.
 - **Service Tab**
Specify the port number that the web application uses to communicate with the windows service. Enter a Server Port number for CCC. Select the port number from the drop down list. All the port numbers are allocated to the local machine.
13. Installation will continue. Enter the CCC Server name when requested. Click **Next** to continue.
14. The setup continues with the Database Management components being installed.
15. The InstallShield wizard complete screen will appear. Select the option **Yes I want to restart the computer now** option and click on the **Finish** button.
16. The [Delta Server](#) needs to be configured.
 - Start the Delta Server application: **Start | Programs | CCC | Delta Server**
 - Click on **Comms** in the Toolbar Pane.
 - Select the required IP Office connection and click on the **Apply** button.
 - The Server, Server Type and IP Address will show at the top of the screen. The Comms Status should show as 'Comms Restored'.
 - Click on **Archiver** in the toolbar pane.
 - Enter the SQL Server Name (i.e. the name of the PC hosting the database) and check the option **Launch Archiver at Startup**.
 - Click on the connect button. The screen will remain blank.
 - Click on the **refresh** button and the Archiver should be shown as connected. If the Archiver is not shown as connected, follow the steps below to achieve connection.

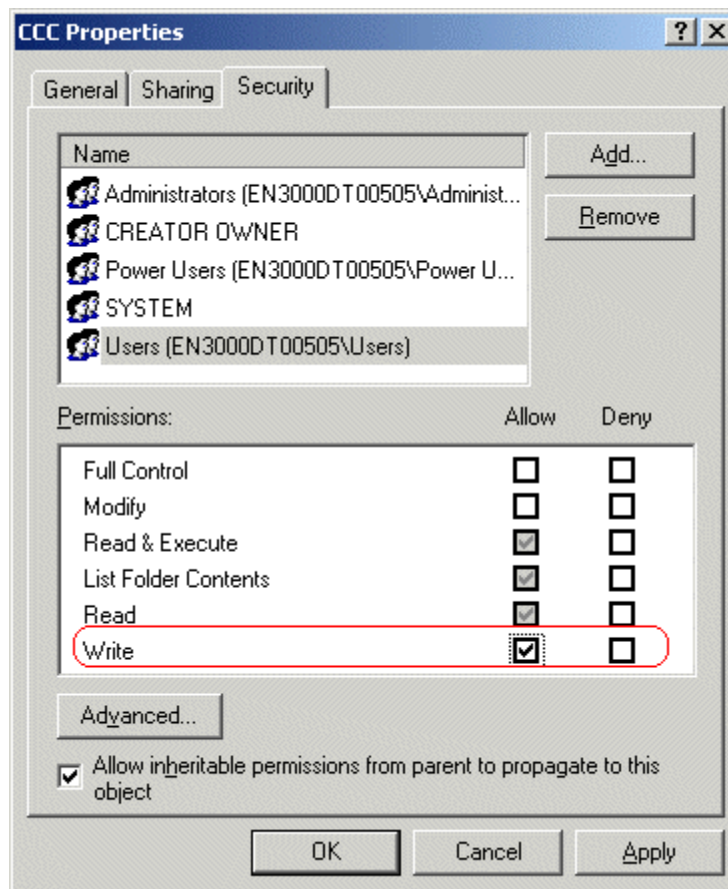
- a. Close Delta Server.
 - b. Open the Administrative Tools: **Start | Settings | Control Panel | Administrative Tools**.
 - c. Double click on the **Services** icon.
 - d. Right mouse click on **CCC Delta Server** and select **Restart** from the menu.
 - e. Close all the open windows.
 - f. Re-start the Delta Server application: **Start | Programs | CCC | Delta Server**.
 - g. Click on **Archiver in the Toolbar Pane**. All the details should be completed and the Archiver shown as connected.
17. Close all programs and re-boot the PC.

Access Permissions

Once CCC has been installed, read/write permissions need to be assigned to allow full functionality for a supervisor using a Client PC. Users of Call Center View, PC Wallboard and Alarm Reporter will need have write permissions for the folders.

The easiest way to give a folder write permissions is detailed below. This is only an example of how permissions can be set. There are other ways that this can be done according to your network setup and security policies.

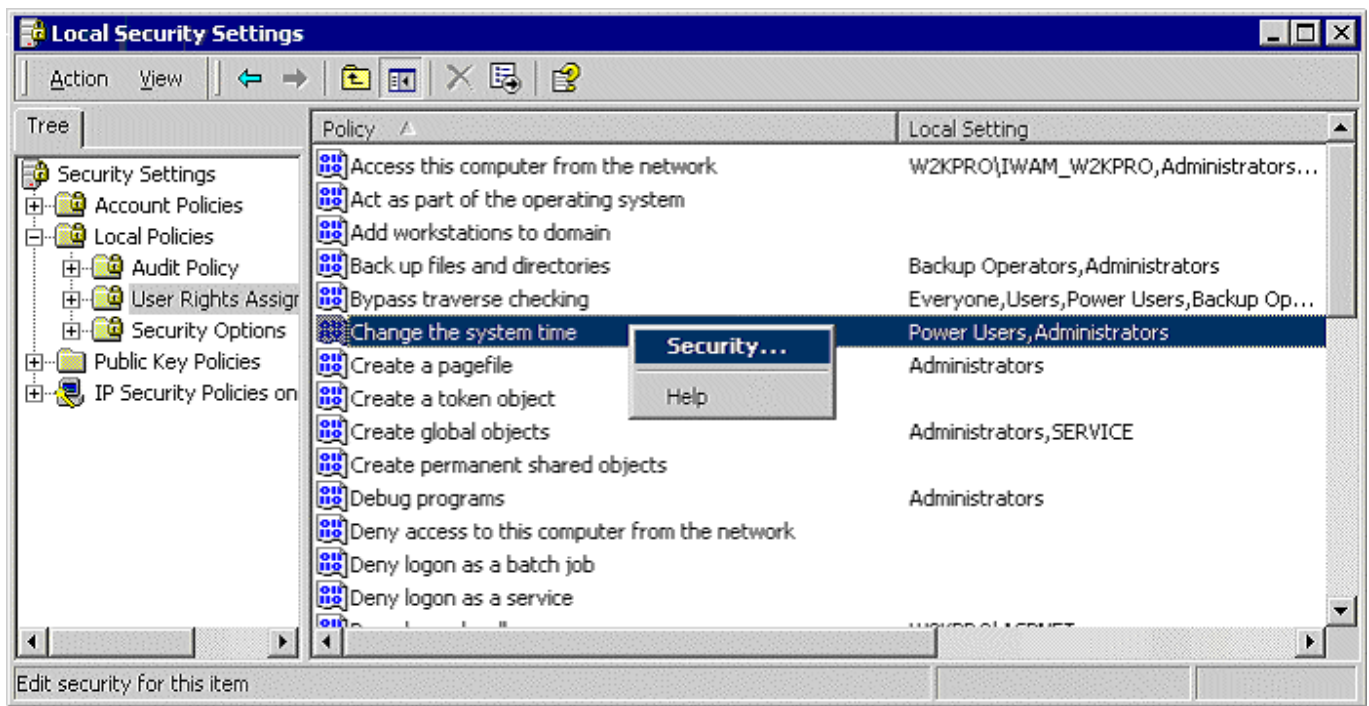
1. From Windows Explorer select the folder containing the programs. By default the directory path will be C:\Program Files\Avaya\IP Office\ CCC.
2. Right click the CCC folder and select Properties.
3. Click on the Security Tab and select Users. In the Permissions section click in the Allow box for Write.



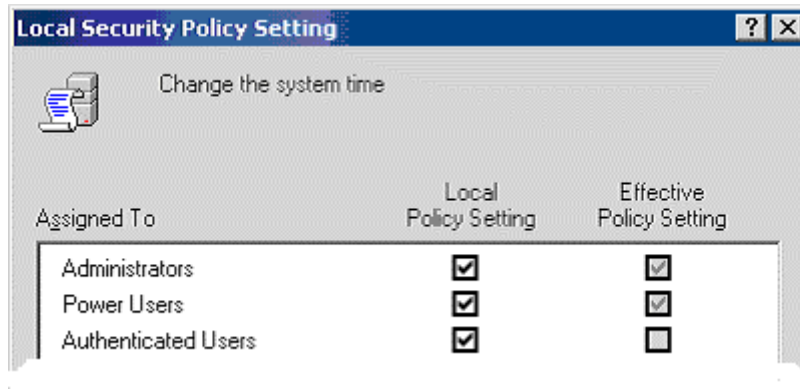
4. Click the **Apply** button and then click **OK**.

The Client PC's also need to be able to synchronise their time with the Delta Server.

1. From the Start button select **Programs | Administrative Tools | Local Security Policy**.
2. Under the **Local Policies** select **User Rights Assignment**.
3. Right mouse click on **Change the system time** and select **Security**.



4. Click **Add** and select **Authenticated Users**.
5. Click **Add** and then **OK**.
6. The Local Security Settings screen will now have authenticated users added to the listing.



7. Click **OK**.

Note: This setting can be set at a Domain level to apply to all CCC Client users. Speak to the local Domain Administrator for further information.

Logon Requirements

When creating Logon profiles for the Server and Client machines the following points need to be considered.

1. If the Reporter application needs to print reports to a domain printer or email, CCC Reporting must be set up to use a domain service account.
2. A service account needs to be created allowing access to MS Exchange Server if email reports are to be sent from either the Delta Server or CCC Reporter.
3. Ensure that the domain service account is used to logon interactively to the CCC server, to create printers for preset reports.

Client Pre-requisites

Client Hardware Specifications

Each Client PC **must** meet the minimum requirements as follows:-

- Pentium III 800MHz or higher, with a 7,200rpm, >10GByte hard disk.
- Minimum 128 Mbytes of RAM. Please refer to the recommended requirements of the Operating System on the Client PC.

Monitor: 15" (or optional 17") SVGA supporting 800x600.

Network Interface Card:

Keyboard:

Floppy Disk Drive A: 3.5" 1.44 Mb high density (optional).

CD ROM Drive:

Software Requirements for CCC Client(s)

A CCC Client PC needs to have one of the following operating systems installed.

- Microsoft Windows 2000 Pro with service pack 4.
- Microsoft Windows XP Pro with service pack 1.

MS Internet Explorer 5.5 and any windows critical updates need to have been installed **before** any CCC software is loaded.

Client Software Modifications

The CCC Client or Agent machines need to have the following modifications.

1. Install the appropriate [CCC Licences](#).
2. Ensure that the Time Zone is set e.g. for USA set it to English (United States). Make sure that the time is set to local time.

Client PCs Installation

For Client configurations (Supervisor positions) follow the procedures detailed for the [Server installation](#). Refer to the [introduction](#) for details of the appropriate applications to install.

Note: Once the CCC applications have been installed the [Access Permissions](#) need to be amended.

Agent PCs Installation

Agent PCs can optionally have the PC Wallboard application installed. Follow the installation instructions detailed within the Server PC Installation section making sure that only the PC Wallboard application is selected. Once installed the [Access Permissions](#) need to be amended.

Note: Ensure that Call Center View is unchecked. This can only be unchecked once the CCV Alarm Reporter has been unchecked.

IP Office Requirements

Overview

This section assumes that the installer is familiar with the basic programming of the IP Office System and the Manager manual is available.

- IP Office Software must be Level 2.1+.
- Server License keys are required for the applications (see [CCC Licenses](#)).
- If Internet Explorer is on the same PC or server as the delta server software, you must make sure that where there is an Internet service that there is also an Internet user. You need to amend the user configuration within the Manager software.

CCC Licenses

Some applications and devices for IP Office require the entry of license keys before they will work. They may also require licenses to enable certain features.

For full details refer to the separate IP Office License & Feature Keys manual.

The CCC application is enabled by a license key, which also allows for support of up to five call agents. Additional license keys may be entered to enable support for additional call agents.

Each license is a 32-character string based on a number of unique factors:

- The Serial Number of a Feature Key (a hardware device attached to the parallel or USB port of a PC running the Feature Key Server software).
- The features and software being enabled.

Entering License Keys

You can view, add, delete and edit License keys through the IP Office Manager application. License keys can be copied and pasted into the Manager application. This will help prevent errors arising from manual entry of the 32-character strings.

1. Start IP Office Manager and load the system configuration.
2. Select **System** in the left hand panel. In the right hand panel, right click on the system icon and select **Edit**. Enter the *License Server IP Address*. E.g. the IP Address of the PC that has the Feature Key plugged into its serial or USB port (ideally the Server PC that will be running the CCC applications).
3. Select **License** in the left-hand panel. The right hand panel will now show details of the License Keys entered on the system.
4. By right clicking in the blank space of the right-hand panel or onto an existing license you can select to add, delete or modify License Keys. The CCC License Keys available are:
 - **IP400 CCC SVR RFA**: Enables Compact Call Center for one supervisor, including reporting on 5 agents and 1 PC Wallbord.
 - **IP400 CCC Report RFA 5**: Enables access to historic reporting for 5 users (or 5 additional users). There are also 2 additional licences to enable either 10 or 20 users.
 - **IP400 CCC Designer RFA**: Enables a supervisor to design and customize their own reports.
 - **IP400 CCC Rostering RFA**: Enables connection to thirs-party agent rostering packages for CCC.
 - **IP400 CCC EMAIL RFA**: Enables Email routing and reporting, outbound calling, web call-me buttons (requiers IP400 CTI Pro RFA and CCC Svr RFA).
 - **IP400 CCC EMAIL CTI RFA**: Enables Email routing and reporting, outbound calling, web call me buttons (includes IP400 CTI Pro RFA). Requires CCC Svr RFA.
 - **IP400 CCC AGT RFA 5**: Enables reporting for 5 CCC agents (or 5 additional CCC agents). There are also 3 additional licences to enable 10, 20 or 50 CCC agents.
 - **IP400 CCC PCW RFA 5**: Enables PC Wallboards for 5 agents (or 5 additional agents). There are also 3 additional licences to enable 10, 20, or 50 agents.
 - **IP400 CCC Wallboard 4 RFA**: Provides software activation for up to 4 physical wallboards for use with the Compact Call Center, uo to a maximum of 16. Please noter that this activation does not apply to the WB 22 product.
5. After altering or adding any license keys, upload the new configuration to the system and allow the system to reboot.
6. Load the system configuration again and check the **Status** of the License Keys. If any keys are listed as **Invalid**, check that the correct key has been entered. Repeat the previous steps if necessary to correct any errors.

Important: Save a Copy of the Configuration

Once the License Keys have been correctly entered, it is very important that you save a copy of the configuration. Select **File | Save as** to save a copy of the configuration onto the PC from which you are programming.

Naming Directory Numbers

Since the Telephone System programming is reflected within the CCC Manager applications, it is important to name the directory numbers (i.e. Agents, Groups, Trunks, DDIs, etc) before connecting the CCC.

It is also highly recommended that the directory names be unique to aid identification of specific directory number within the Standard Reports.

Where directory numbers of a specific type are unnamed, or where more than one directory number as a specific type has the same name, the Standard Reports will group data for those directory numbers as a single entity (e.g. all unnamed agents will be grouped together as a single agent called "No Name", and all DDIs named "Company DDI" will be grouped together as a single DDI called "Company DDI, etc.).

If the directory numbers have not been named, then the terminology for the directory numbers implemented in the Contact Center Manager applications is:

- Agent – ACD Agent (XXXX*) – XXXX
- Group – Agt Group (XXXX) – XXXX
- Trunk Grp – Trunk GP (XXXX) – XXXX
Where XXXX is the directory number

Note: An **AGENT** is defined as a person who makes or receives calls and has 'logged on' to the system, e.g. has a 'forced log on' status on the switch and has logged on to a handset.

Mailbox Set-up

Mailboxes need to be set-up on any PC that needs to be able to receive Delta Server error reports.

Note: The examples in the following instructions are for Microsoft Exchange Server, but the server can be any extended MAPI compliant server.

Perform, on all CCC PCs, the following:-

1. Right-click on your **Outlook** icon and select properties. If the Server profile you require is not shown, click **Add** and select from the available list.
 2. Click on **Properties** and view the **General** tab.
 3. Enter the Server and mailbox names.
 4. Click **OK** to finish.
 5. On successful installation, proceed with [Starting CCC User Access](#).
-

Group Reporting

When configuring it is important to understand how calls are attributed to groups on the Call Center View, Wallboards and Report Manager.

Note: When configuring IP Office for use within a Call Center, none of the groups used with CCC should have their ring mode set to Group. Collective Group ringing is not a supported mode of operation as the call data collected will be inaccurate.

IP Office in the Contact Center Environment

Staff Management is a LOCAL issue hence all real time and historic analysis for teams will require local CCC's.

Traffic Management is a GLOBAL issue. Therefore in an IP Office configuration calls waiting across an entire network (queued) are displayed on all Call Center View implementations across IP Office.

Call Center View and Wallboard Manager

The Call Center View and Wallboard Manager products report on groups directly derived from the Database. Agents and Trunks may be reported on in as many groups as they are members of within the database. It is important however to understand how statistics for these groups are derived and it is important for the user of the system to understand these reporting structures. These are defined below.

Call Totals and average durations for Groups are calculated by totaling the statistics for the members of group. Should an agent or group be a member of multiple groups, their call totals will appear in multiple groups.

Lost Calls are only attributed to the initial target agent group i.e. Initial ring group. Lost calls are also attributed to Trunk Lines, and Trunk Groups.

Agent Status Information for a group shows the number of agents or trunks within a given group, which are in each state.

Agent Statistics for:

- **Calls Waiting, PCA, GOS, Longest Wait, LWait (Ans), L Wait (Lost), Overflowed to/From** statistics are only incremented for calls which are directly presented to that agent group. That is they only increment where the agent group is used for Call routing purposes.

Trunk Statistics for:

- **Calls waiting and Lost** are calculated by totaling the statistics for the members of the trunk group. **PCA** and **GOS** are calculated for each trunk group after totaling answered calls (plus lost for GOS) for the members of the trunk group. **LWait (Lost)** and **LWait (Ans)** reflect the longest wait of all those logged against any member of the trunk group.

Report Manager

The CCC has two concepts for historic reporting that cater for different views a supervisor may require of their contact center. One type of report referred to as 'Target' reports provides analysis based on where the call was presented and relates closely to the manner in which the call routing has been configured. The second type of report, referred to as 'collective' reports, is based on arbitrary sets of agents and need not necessarily correspond to the manner in which switch call routing is programmed.

CCC reporting associated with Voice Mail Pro

The following conditions apply to the initial answer/ lost segment of calls which were first presented to the Voice Mail Pro (VM) (e.g. Voice Mail front ended systems):

1. Trunk/DDI – Call remains unanswered until answered by a non-Voice Mail Pro device or if terminated within 3rd party Voice Mail, or encountered an "Answered" flag in Voice Mail Pro.
2. 3rd Party Voice Mail – Answered if Voice Mail connects, lost by Voice Mail if caller hangs up before Voice Mail can answer.
3. Voice Mail Pro – Calls will only be registered as answered when the Voice Mail Pro has successfully processed the call (passed an "Answered" flag in Call Flow)
4. Agent/Agent Group – Designation of answered and lost calls is directly dependent upon clause 1.
5. If a call was lost whilst being transferred by Voice Mail Pro, the lost call statistics will be designated to the transfer target. Calls lost whilst alerting or connected to Voice Mail Pro will be deemed lost by the Voice Mail Pro device or group.
6. A call successfully transferred by Voice Mail Pro will be treated as a new incoming call by trunks, DDI and Agents, but transferred by Voice Mail Pro devices.

Login Codes

For reporting on call status and call handling all users should use login codes. This is especially important for the user associated with the extension by default, who should be set to forced login. The use of the Login Idle Period is also recommended.

Wallboard Installation & Maintenance

Introduction

This section provides basic details about the [Ferrograph 10](#), [Ferrograph 22](#), [Spectrum 4120C](#) and [AdvaTel TCD226C](#) Wallboards together with installation instruction.

Up to 16 Wallboards can be supported on IP Office.

Ferrograph Wallboard 10

Introduction - Ferrograph Wallboard 10

The Wallboard 10 is a single line display consisting of 10 tri-color characters. It is connected via multi-drop circuits, to the host PC running the Wallboard Server application.

Specifications

Ferrograph Wallboard 10	
Voltage	Check label on rear of wallboard
Wattage	35W
Cold Start Inrush Current	30A for up to 6ms
Baud Rate	9600 only
Input	RS485
Weight	4 kg
Dimensions	L 469 x D 75 x H 123 mm

Installation power distribution circuit rating to be greater than 6 amps. Any circuit breakers must be capable of handling the cold start inrush current without tripping.

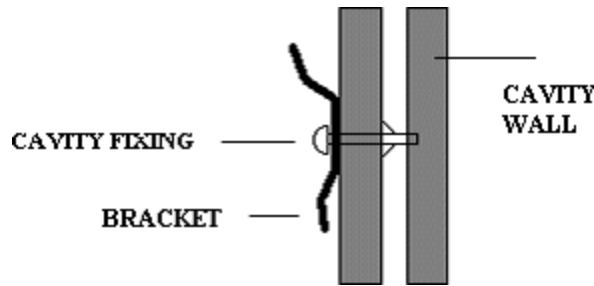
The display is supplied with 2 wall mounting brackets, ceiling mounting kit, PC connection plugs and wall fixings.

The Wallboard 10 displays all come with a 2 meter power cable provided for mains supply. Ensure the voltage requirement is compatible with the intended mains supply and that the supply rating is greater than 5 amps.

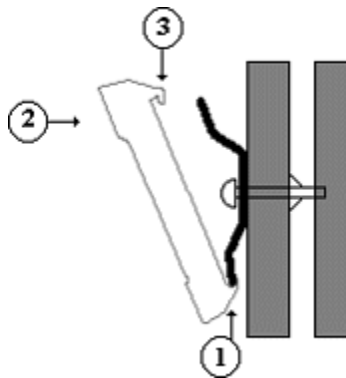
The wallboard can be mounted on the [ceiling](#) or [wall](#).

Wall Mounting

Fix the 2 wall mounting brackets using the cavity fixings provided. The bracket is angled to allow a 10 degree downward tilt to the display. Please ensure the brackets are the correct way up. See the diagram below.



To mount the display, first hook the bottom of the two wall brackets into the bottom rear channel recess of the display. See the diagram below.



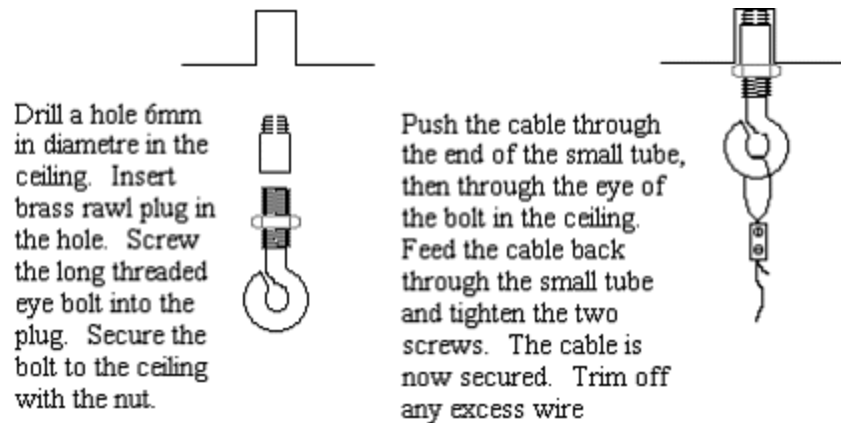
Push display flat against the wall and upwards to fully locate the bottom half of the bracket. Allow display to then drop down onto the top edge of the 2 brackets to obtain a locked fixing. To remove, reverse the above procedure.

Note: The display can be adjusted by sliding sideways in both directions.

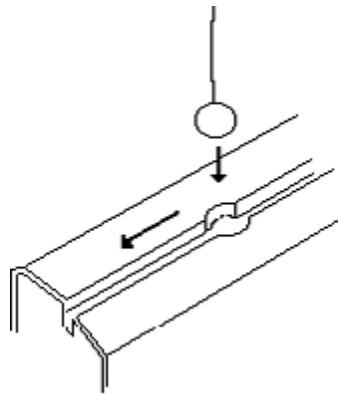
Ceiling Mounting

From the mounting kit provided, fix the ceiling hanging wires and adjust to the height required. See the diagram below.

WARNING: Ensure the ceiling can support the weight of the wallboard prior to fixing.

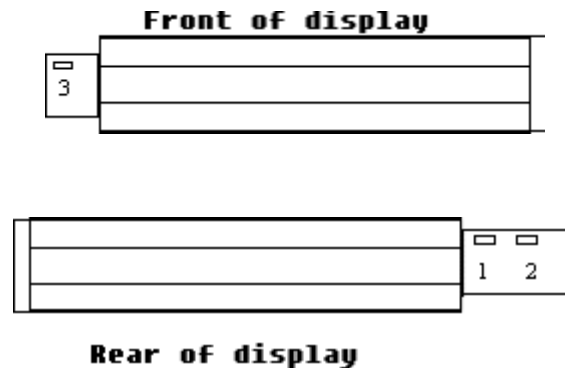


Slide in the 2 ends of the hanging wires into the top groove of the display housing through the pre-drilled center hole. Center the display on the hanging wires. See the diagram below.



Serial Connection and Configuration

An RJ45 junction box is provided as standard, alternatively if required an RJ45 coupler and 2 way adapter can be used. The serial cable is normally connected to the logic board for RS485 operation, check label on rear of display for specific configuration. The serial communications lead from the PC is connected to the junction box as shown later in this manual. Modifications to the network numbers and baud rates can be done by following the sections below, but changing the dip-switch settings as per the diagram below.



1= RS232 Connection.

2= RS485 Connection.

3 = Dip Switches.

To set the network number requires access to the Wallboard 10 logic board as explained above.

To address individual displays in a network, a network number can be set on the [dip-switch](#) on the logic board. Network 0 is a general address and will accept all data from the host system. The network number is set using switches 1,2,3 and 4.

Dip-switch Number

OFF position represents 0

ON position represents 1

Address	SW1	SW2	SW3	SW4
0	0	0	0	0
1	1	0	0	0
2	0	1	0	0
3	1	1	0	0
4	0	0	1	0
5	1	0	1	0
6	0	1	1	0
7	1	1	1	0
8	0	0	0	1
9	1	0	0	1
10	0	1	0	1
11	1	1	0	1
12	0	0	1	1
13	1	0	1	1
14	0	1	1	1
15	1	1	1	1

Baud Rate

The Baud Rate can be changed to 1200, 2400, 9600 or 19200 using the dip-switch. The Baud Rate is set using switches 5 and 6.

5	6	Baud Rate
ON	ON	1200
OFF	ON	2400
ON	OFF	9600
OFF	OFF	19200

Ensure the Baud rate is set to 9600.

Test Functions

Test functions are provided to assist installation engineers. These are selected on the dip-switches. Test functions are selected using switches 7 and 8.

If switch 7 and 8 are **OFF** at power reset:

Function	7	8
Freeze Display	ON	ON
Alternating ON/OFF Blocks of LED's	OFF	ON
Stripes	ON	OFF
Normal Operation	OFF	OFF

If switch 7 and 8 are **ON** at a power reset:

Function	7	8
Information Screen	ON	ON
Stripes	OFF	ON
Alternating ON/OFF Blocks of LED's	ON	OFF
Freeze Display	OFF	OFF

System Wiring

The principle for wiring up your display wallboards is that the PC output port is connected to the input of each wallboard.

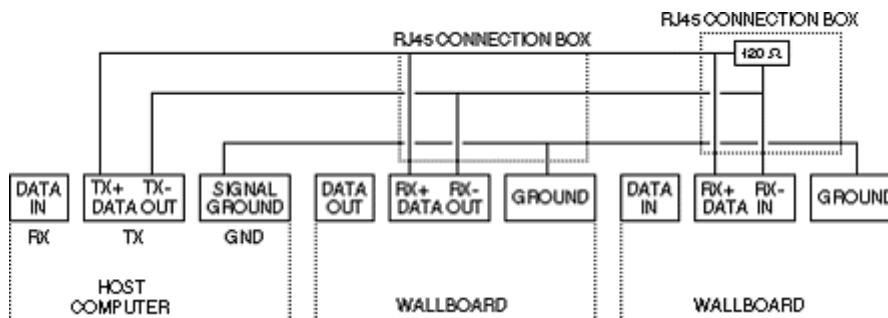
The connection is RS485 and the screen of the cable is connected to the wallboard signal ground, which is floating.

The wallboard housing frame ground is connected to earth by the power cable

RS485

This standard officially allows 30 wallboards to be connected via a RS485 transmission cable of up to 1200 Meters to a PC RS485 port.

The PC TX+ is connected to the wallboard RX+; similarly, the PC TX- is connected to the wallboard RX-. The recommended technique is to run a screened cable from the PC to the nearest wallboard, then from this wallboard to the next nearest wallboard etc. At the last wallboard on the bus, it is necessary to connect a 120 Ohm terminating resistor between the wallboard RX+ and RX- connections within the RJ45 connection box. See the diagram below.



The installation technique is that data input of each display is electronically connected to the transmit output of the PC.

Periodic Maintenance & Inspection

Cleaning Display Screen

Time periods between cleaning depend upon local conditions and are at the discretion of the operator. This routine cleaning can be carried out in the normal way using a damp and/or dry cloth.

Note: The screen is specially coated to reduce reflections and although this coating is very durable, misuse or incorrect cleaning procedures can damage it.

LED Illumination Test Inspection

The purpose of this test is to ensure no LED fails to illuminate and should be checked annually.

Remove the right hand end cheek and carefully slide out the logic control board so that the dip-switches are accessible. Set switch 8 to ON, inspect the LED display that will run blocks of Green, Red and Yellow across the display. Look for any LED's that fail to illuminate.

Return switch 8 to the OFF position to stop this test.

LED Matrix Scanning Inspection

The purpose of this inspection is to ensure the LED matrix is being scanned correctly. Remove the right hand end cheek and carefully slide out the logic control board so that the dip-switches are accessible.

Set switch 7 to ON, Yellow diagonal stripes will run across the display. Check that these stripes are straight and that Yellow is the only colour displayed. Having completed this visual inspection return switch 7 to OFF and ensure that all switch settings comply with system requirements for baud rate and wallboard network address number.

Ferrograph Wallboard 22

Introduction - Ferrograph Wallboard 22

The Wallboard 22 is a two line by 22-character tri-color Wallboard. It is connected, via multi-drop circuits, to the host PC running the Wallboard Server application.

Specifications

Ferrograph Wallboard 22	
Voltage	220/240V AC OR 110V AC. (Check label on rear of wallboard)
Wattage	108W
Cold Start Inrush Current	30A for up to 6ms
Baud Rate	9600 only
Input	RS485
Weight	6 kg
Dimensions	L 1097 x D 75 x H 198 mm

Installation power distribution circuit rating to be greater than 6 amps. Any circuit breakers must be capable of handling the cold start inrush current without tripping.

The display wallboard consists of the following assemblies:

- **Housing**
A housing that is manufactured from an aluminum extrusion with anti reflective polycarbonate screen and removable plastic end caps.
- **Power Supply**
9V DC switch mode power supply assembly incorporating an RJ45 chassis mounted data connector. The power supply is configurable for use from either 120V AC or 240V AC (NOMINAL VOLTAGES) supplies.
- **Logic Control Board**
Logic control board that receives RS485 serial data from the data RJ45 connector.
- **Display Board Assembly**
Tri-color display board assembly, which consists of three display boards which, are connected one to the other by a fiber optic link. The left-hand display board receives display data from the logic control board, via a fiber optic link and it outputs data to the next display board etc. Each display board consists of decoding and LED row and column circuitry which drives the LED matrix consisting of 18 5x8 LED blocks.

Installation

Before commencing installation, please check from the packing list that all parts are included.

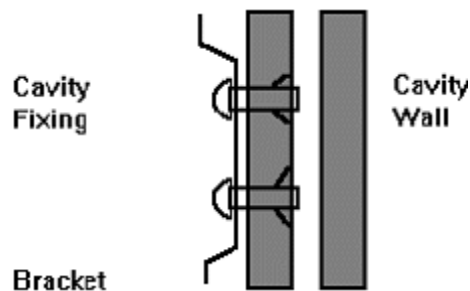
Packing List:

- 1 x Wallboard 22
- 2 x Wall mount brackets
- 2 x Spun hanging wires
- 4 x Cavity rawl plugs
- 4 x Screws
- 2 x Eyehole bolts
- 2 x Masonry rawl plugs
- 2 x Housing clamps
- 1 x RJ45 Terminal Box
- 1 x IEC Power lead

Before commencing installation, please take a couple of minutes ensuring that the final location of the display will be both safe and practical for the customer. Also check that the power socket provided is suitable for this type of display.

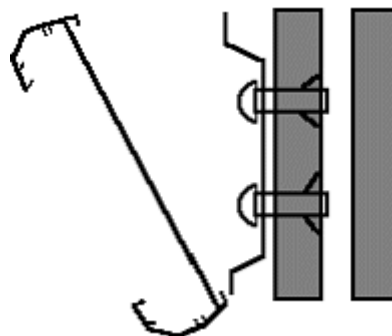
Wall Mounting

Once a location has been decided upon, mark its location on the wall with a pencil through the two holes in the brackets. Before drilling the holes, a suitable utility detector should be used. Once this has been done, the holes may be drilled and the brackets mounted using the relevant fixings provided.



Before mounting the display onto the brackets, the network address should be assigned. The power lead should also be attached prior to mounting.

To mount the display, first hook the bottom of the two brackets into the bottom rear recess channel of the display. See the diagram shown below.



Push the wallboard flat against the wall and push upwards to fully locate the bottom half into the recess. Now allow the display to fall approximately one inch. The display should now be safely located onto the two brackets.

To remove a wall mounted display then reverse the above paragraph.

Note: The wallboard position can be adjusted by sliding sideways in either direction.

Ceiling Mounting

Using the mounting kit provided, firstly, drill the 6-mm holes for the eyehole bolts and secure them into the ceiling. Pass the spun wire chain through the eyeholes and through the housing clamps and tighten at the required height.

Remove the right hand end cheek of the wallboard by unscrewing the two fixing screws.

Slide the two nipples on the end of the spun wire chain into the middle groove of the display housing and replace the end cheek. Center the display on the hanging wires. Adjustments can be made by sliding the display to achieve the final level.

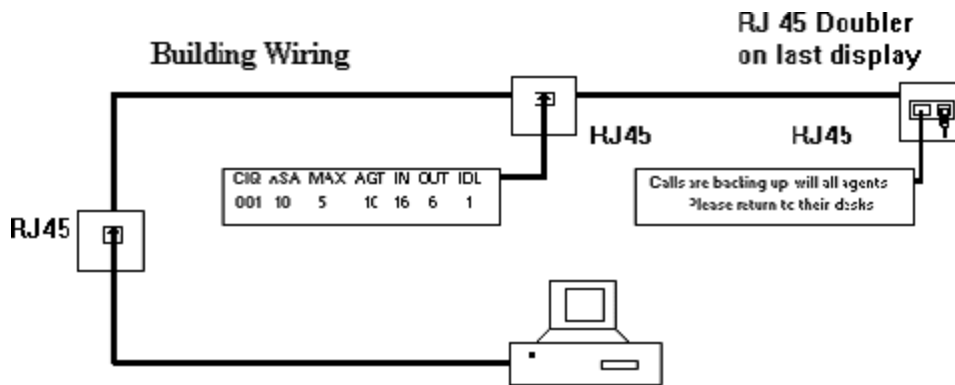
WARNING: Ensure the ceiling can support the weight of the wallboard prior to fixing.

RS485 Serial Connection

The RJ45, RS485 flying lead is one metre long. It cannot be removed from the Wallboard; therefore, this must be taken into consideration for the location of the RJ45 terminal box.

Fit the RJ45 terminal box within one metre of the center of the Wallboard.

The Wallboard should be connected to the host system by utilizing a drop off wiring configuration.



All RJ45 sockets should be wired identically with the terminated RJ45 plug on the final socket with the supplied RJ45 doubler.

Network Addressing

Each display can be configured to display different messages. This is achieved by allocating each display its own network address. Within each display there is a board containing eight dip-switches. For more information see the section entitled Serial Connection & Dip-Switch Details.

Additional Equipment

External Alarm Device for connection to Wallboard 22 only.

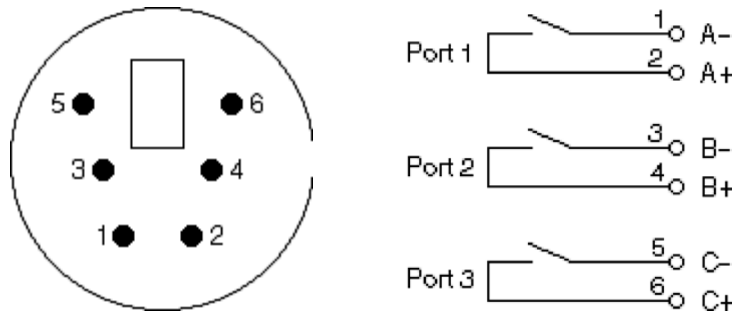
An external alarm device is available to supplement the in-built buzzer. This interface allows a DC powered device to be attached to a couple of pins provided by a 6-pin DIN connector, which is mounted on the rear of the display. This 6-pin DIN port provides the ability to connect the additional device in addition to the internal buzzer.

Note: It is not possible to drive the external device independently of the internal buzzer.

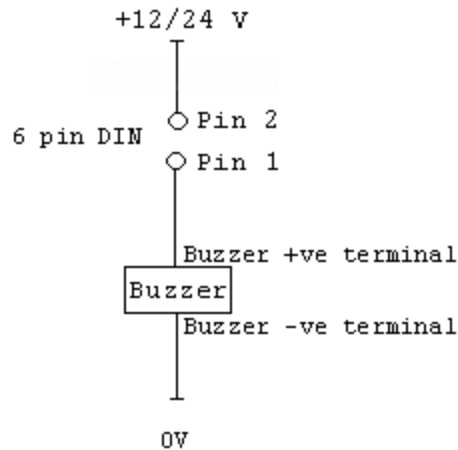
Connection Details

The external 6-pin DIN connector is located adjacent to the Mains Power Lead (IEC Connector). The pins are numbered on the connector from 1-6. Port 1 will replicate the internal buzzer, and should be used for buzzers. Ports 2 and 3 are not used at this point.

Socket View - 6 Pin Mini-DIN



The overall connection schematic looks like this:



Compatible External Devices

All of the devices below are available from the Farnell Electronics Catalogue, and have been tested by Ferrograph and are recommended as suitable for connection to the external interface.

Note: This external interface has been designed for connection of DC Voltage devices ONLY.

- Continuous/Pulsed Single Tone Sounders – 12V & 24V DC.
- Farnell Reference: FEC143-400, FEC143-402, FEC143-403.

Periodic Maintenance & Inspection

Cleaning Display Screen

Time periods between cleaning depend upon local conditions and are at the discretion of the operator. This routine cleaning can be carried out in the normal way using a damp and/or dry cloth.

Note: The screen is specially coated to reduce reflections and although this coating is very durable, misuse or incorrect cleaning, procedures can damage it.

LED Illumination Test Inspection

The purpose of this test is to ensure no LED fails to illuminate and should be checked annually.

Remove the right hand end cheek and carefully slide out the logic control board so that the dip-switches are accessible. Set switch 8 to ON, inspect the LED display that will run blocks of Green, Red and Yellow across the display. Look for any LED's that fail to illuminate.

Return switch 8 to the OFF position to stop this test.

LED Matrix Scanning Inspection

The purpose of this inspection is to ensure the LED matrix is being scanned correctly. Remove the right hand end cheek and carefully slide out the logic control board so that the dip-switches are accessible.

Set switch 7 to ON, Yellow diagonal stripes will run across the display. Check that these stripes are straight and that Yellow is the only colour displayed. Having completed this visual inspection return switch 7 to OFF and ensure that all switch settings comply with system requirements for baud rate and wallboard network address number.

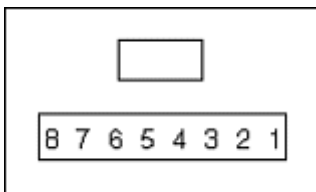
Serial Connection & Dip Switch Settings

Wallboard Terminal Box RJ45 Connector Pin Out Details

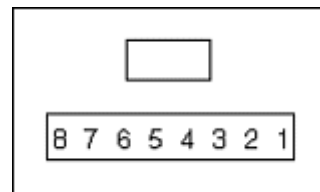
Pin	Signal
2	Signal Ground
3	Sign Rx+ Input
4	Sign Tx+ Output
5	Sign Tx- Output
6	Sign Rx- Input
7	—

Pin out Connections

Wallboard x RJ45 Socket



Wallboard x+1 RJ45 Socket



Pins from 2 to 7 should be connected identically from all RJ45 boxes to all others.

Dip-Switch Details

Network Address

OFF Position Represents 0

ON Position Represents 1

Address	SW1	SW2	SW3	SW4
0	0	0	0	0
1	1	0	0	0
2	0	1	0	0
3	1	1	0	0
4	0	0	1	0
5	1	0	1	0
6	0	1	1	0
7	1	1	1	0
8	0	0	0	1
9	1	0	0	1
10	0	1	0	1
11	1	1	0	1
12	0	0	1	1
13	1	0	1	1
14	0	1	1	1
15	1	1	1	1

Baud Rate

Dip Switch Settings are:

SW5	SW6	DATA BIT/SEC
OFF	OFF	19200
ON	OFF	9600
OFF	ON	2400
ON	ON	1200

Ensure the Baud rate is set to 9600.

Test Functions

SW7	SW8	FUNCTION
OFF	OFF	Normal Running
ON	OFF	Diagonal Stripe Test
OFF	ON	Full Screen LED Test
ON	ON	Information Screen (Only on power up)

The information screen shows three pages where the following text is displayed. The dip switches must be set with the display powered down, then switch power on to achieve information screen.

- Yellow Text = Software Version Sign Type.
- Green Text = Network Number.
- Red Text = Baud Rate.

RS485 Communication System**RS485 Communication Systems**

This standard officially allows 30 wallboards to be connected via a RS485 transmission cable of up to 1200 metres to a PC RS485 port.

The PC TX+ is connected to the wallboard RX+; similarly, the PC TX- is connected to the wallboard RX-. The recommended technique is to run a cable from the PC to the nearest wallboard then from this wallboard to the next nearest wallboard etc.

At the last wallboard on the bus it is necessary to connect a 120 ohm terminating resistor between the wallboard RX+ and RX- connections using the supplied terminated RJ45 Plug and the RJ45 doubler. The cable specification must include a twisted pair with an overall screen and characteristic impedance of 100 ohms.

Ground Loops

Proper operation of RS485 requires a signal return path. A third wire should connect all the system signal grounds together and is most often an additional shield conductor.

Distributed power systems in industrial applications may have differences in the AC power line grounds of several volts as measured from location to location. Ground differences that are greater than 5V RMS can destroy the RS485 transceivers. Loop currents can exist within the shield conductor because of these voltage potentials, causing data errors. Loop currents can be minimized by installing 100 ohm resistor in series with the cable shield and the RS485 Line Driver ground connection or by ensuring that the screen of the cable does not make contact with the wallboard frame earth. Spurs, which lead off from the main RS485 cable to a wallboard, should be kept to less than one metre long.

Spectrum 4120C Wallboard

Introduction - Spectrum 4120C

The Spectrum 4120C is a two line 20-character tri-color wallboard. It is connected via a multi-drop circuit to the host PC running the Wallboard Server application.

Specifications

Voltage	Check label on rear of wallboard
Wattage	150W
Baud Rate	9600 only
Input	RS485
Weight	8.4 kg
Dimensions	L 1021 x D 129 x H 196 mm

Spectrum Wallboards can be 'daisy-chained'; this will require the use of the Spectrum Remote Controller to enable serial addressing. For this and the Wallboard specifications, safety statements, wall mounting instructions, etc., refer to the documentation supplied with the Wallboard.

For installation guidance, please refer to the documentation supplied with the Wallboard. In some instances the Spectrum 4120C has been renamed as the 3314C. Additional information on this wallboard is available via <http://www.specorp.com/>.

Caution: Connection **must** only be made via the Wallboard's RS485 socket.

Advatel TCD226C Wallboard

Introduction - AdvaTel TCD226C

The AdvaTel TCD226C is a one line 26 character tri-colour wallboard. It is connected via a multi-drop circuit to the host PC running the Wallboard Server application.

Specifications

Voltage	240/110V manually switchable on separate PSU
Wattage	120W
Baud Rate	9600 only
Input	RS232
Weight	4.4kg
Dimensions	L 1207 x D 60 x H 125 mm

AdvaTel Wallboards can be 'daisy-chained'. Refer to the documentation supplied with the wallboard for details.

Caution: Connection to the PC must only be made via the Wallboard's DB9 socket.

The following is a brief outline of the installation of the AdvaTel TCD226 Wallboard. For more detailed installation guidance, please refer to the documentation supplied with the Wallboard.

Additional information on this wallboard is available via <http://www.advatel.com/>.

The display wallboard has the following features.

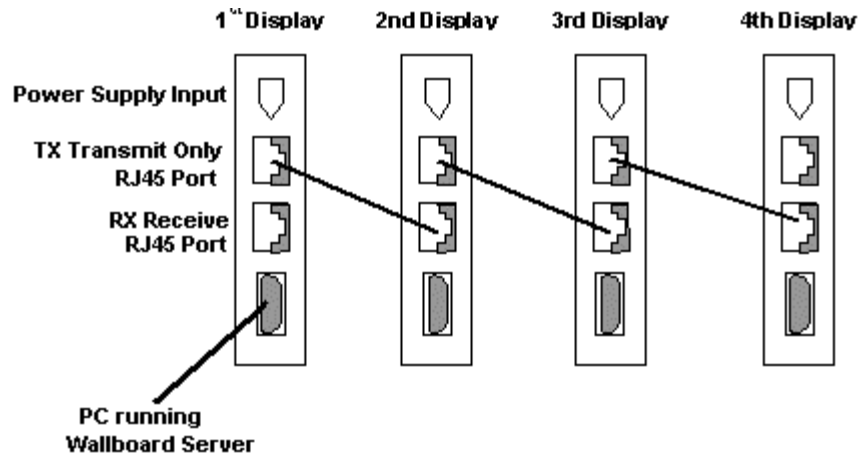
- Allows the connection of input and output cables with RJ45 connectors
- Contains a DB9 pin connector for serial connection to the PC Com port.
- The distance between Wallboard displays can be up to 500 meters
- A manually switchable AdvaTel 240/110 VAC power supply is supplied with each wallboard. The power supply is equipped with an internationally acceptable IDC connector
- The wallboard is equipped with a bleeper volume control.

Daisy Chain

When connecting more than one display in a daisy chain simply use a 1:1 cable terminated on RJ45 connectors.

Plug one end of the RJ45 connector into the Transmit Only RJ45 port on the first display, and plug the other end of the RJ45 connector into the RJ45 Receive/Transmit port on the next display. Repeat this configuration for other displays in the daisy chain. The diagram below shows the cabling configuration of the 1:1 RJ45 cable.

To identify pin 1 on the RJ45 plug, hold it as shown below with the gold pins facing you.



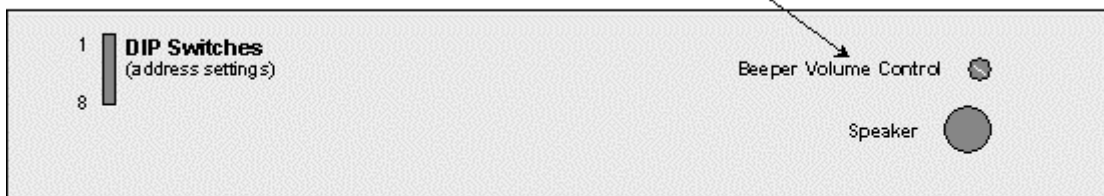
Wallboard ID and Bleeper Volume Control

Each TCD226C display can be individually addressed. At default, the display is set to Address ID = 1. The addressing DIP switches are located at the back of the display. To access the DIP switched, remove the two securing screws from the end cap and slide out the back cover.

The ID Addresses range from 1 to 32. The ID addresses are shown below are for ID address = 1 to 8 (binary). The bleeper volume control is also shown.

Top (viewed from rear)

Turn clock-wise to increase volume
Turn Anti-clock wise to decrease volume



DIP Switch Setting for Addresses 1- 8

ID = 1	ID = 2	ID = 3	ID = 4	ID = 5	ID = 6	ID = 7	ID = 8
On	On	On	On	On	On	On	On
1 <input type="checkbox"/>	1 <input type="checkbox"/>	1 <input type="checkbox"/>	1 <input type="checkbox"/>	1 <input type="checkbox"/>	1 <input type="checkbox"/>	1 <input type="checkbox"/>	1 <input type="checkbox"/>
2 <input type="checkbox"/>	2 <input type="checkbox"/>	2 <input type="checkbox"/>	2 <input type="checkbox"/>	2 <input type="checkbox"/>	2 <input type="checkbox"/>	2 <input type="checkbox"/>	2 <input type="checkbox"/>
3 <input type="checkbox"/>	3 <input type="checkbox"/>	3 <input type="checkbox"/>	3 <input type="checkbox"/>	3 <input type="checkbox"/>	3 <input type="checkbox"/>	3 <input type="checkbox"/>	3 <input type="checkbox"/>
4 <input type="checkbox"/>	4 <input type="checkbox"/>	4 <input type="checkbox"/>	4 <input type="checkbox"/>	4 <input type="checkbox"/>	4 <input type="checkbox"/>	4 <input type="checkbox"/>	4 <input type="checkbox"/>
5 <input type="checkbox"/>	5 <input type="checkbox"/>	5 <input type="checkbox"/>	5 <input type="checkbox"/>	5 <input type="checkbox"/>	5 <input type="checkbox"/>	5 <input type="checkbox"/>	5 <input type="checkbox"/>
6 <input type="checkbox"/>	6 <input type="checkbox"/>	6 <input type="checkbox"/>	6 <input type="checkbox"/>	6 <input type="checkbox"/>	6 <input type="checkbox"/>	6 <input type="checkbox"/>	6 <input type="checkbox"/>
7 <input type="checkbox"/>	7 <input type="checkbox"/>	7 <input type="checkbox"/>	7 <input type="checkbox"/>	7 <input type="checkbox"/>	7 <input type="checkbox"/>	7 <input type="checkbox"/>	7 <input type="checkbox"/>
8 <input type="checkbox"/>	8 <input type="checkbox"/>	8 <input type="checkbox"/>	8 <input type="checkbox"/>	8 <input type="checkbox"/>	8 <input type="checkbox"/>	8 <input type="checkbox"/>	8 <input type="checkbox"/>

CCC Wallboard Installation

CCC Wallboard Installation

Before starting the Wallboard Server, you must ensure that the Delta Server is running.

Note: The Wallboard Client does **NOT** support the Device option.

Wallboard Server is started by:

1. Click the **Start** button on the Windows taskbar.
2. Point to **Programs**.
3. Point to **CCC**.
4. Click **Wallboard Server** from the sub-menu.
5. Select whether you want the wallboard server to start automatically after a PC re-boot.

Note: Every time you start and/or exit the Wallboard Server, the internal buzzer within the Wallboard (10/22 or a Spectrum Wallboard) is triggered whilst resetting the Wallboard device(s).

To install a new Wallboard:

1. With the Wallboard Server open, from the **Devices** menu, select **Install New Wallboard**. The Install New Wallboards wizard appears.
2. Select the required Wallboard manufacturer (Ferrograph for 10/22 Wallboards, Spectrum or AdvaTel).
3. Select the required Ferrograph Wallboard model (10 or 20).
4. Click the **Next** button.
5. Select the Communications Port that the Wallboard is connected into (use Communications Ports 5 or 6 if using a Communications Card with a Ferrograph wallboard; otherwise use the number of the Communications Port that the Spectrum wallboard is connected to).
6. Enter the Network Number. There are 30 (1–30) numbers available. For each selected Communications Port, Network Numbers 1-15 can be used. By default Network Number 0 selects all the available Wallboard devices on either port.
7. Enter a name for the Wallboard in the Alpha Tag text box. The name can contain both alpha and numeric characters.
8. Click the **Finish** button to save the settings.

Note: The Spectrum and AdvaTel wallboards require a [licence](#) on IP Office.

Wallboard Properties

This option enables you to configure as well as add either of the Wallboards.

With the Wallboard Server open, from the **Devices** menu, select **Wallboard Properties**. The Wallboard Properties screen lists the installed Wallboards.

1. To [add a Wallboard](#), click the **Add** button.
2. To remove a Wallboard, select the device and then click the **Remove** button.
3. To select a Wallboard as the default device, select the required Wallboard then click the **Set as Default** button.
4. To check the configuration of a Wallboard device, select the Wallboard and then click the **Properties** button.
 - The **General** tab allows you to:
 - Change the Comm Ports setting of the selected Wallboard by selecting a port from the Available Ports and then click the **Change Port** button.
 - Change the Network Number by entering the required network number and then click the **Change Network Number** button. There are 31 (0–30) numbers available.
 - Change the name of the Wallboard by clicking in the Alpha Tag text box and modifying the selected Wallboard name as necessary.

Click the **Close** button to save any changes.

- The **Hardware** tab allows you to:
 - Clear all the messages on the Wallboard by using the **Reset** feature. This should only be used if there are no scheduled messages displayed or that the messages are not displayed properly on the device.

Check Wallboard Operation

Once you have started the Wallboard server, you can check the Wallboards that you are connected to. To do this:

1. From the **Devices** menu select **Wallboard Properties**.
2. The list of available Wallboards is shown. If no Wallboards show, you will need to [install a Wallboard](#).

To check a Wallboard:

1. Select the Wallboard to check from the listing.
2. Click on the **Properties** button.
3. Click on the **Hardware** tab.
4. Click the **Self Test OFF** button to start the self-test. A message will show asking '*The self test will clear any messages on the selected wallboard. Do you wish to continue?*' Click on the **Yes** button if there are no messages running.
5. If information appears on the selected Wallboard, click on the **Self test ON** button to turn the test off.
6. Click the **Cancel** button.
7. Click the **Close** button.

View Active PC Wallboard

When this option is selected, you will see a list of PC Wallboard(s) currently connected to the Wallboard Server.

To update the list, click **Refresh**.

User Access

Starting CCC User Access

CCC User Access is available on all Server and Client PCs. It allows storage of personal Call Center View profiles and Wallboard settings.

Initially, on each PC, Administrators can log on by entering the following:

Name: Admin **Password:** NMYSBH


CAUTION: When you log on as Administrator for the first time, it is recommended that you **change the password**. The new password must be recorded and kept in a secure place.

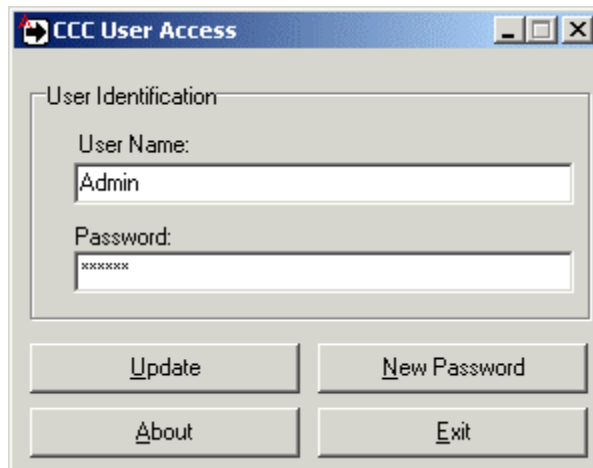
As an administrator you have the ability to change all set up screen and run the CCV Alarm Reporter application.

You can also log on with any name and no password is required. As you are not logged on as an administrator, CCV Alarm Reporter cannot be run and the following setup screens are not available.

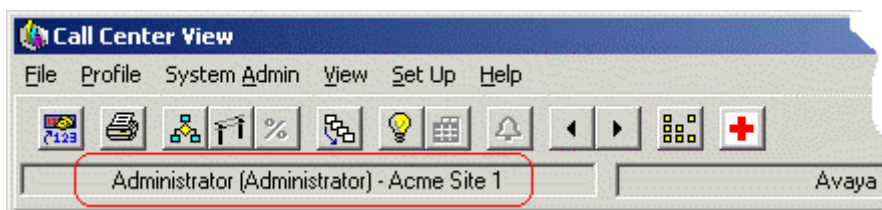
- WB Alarm Scripts
- Alarm WB Destination
- Alarm Settings
- Default Settings.

To log on using CCC User Access:

1. Double click on the CCC User Access Icon  showing on the toolbar. If this is not visible double click the same Icon on the desktop and then double click on the toolbar Icon (which should now be visible).
2. A CCC User Access screen will be shown. For Administrator rights the User Name must be **Admin**. A password box will appear. Enter the default password (NMYSBH) and the **Update** button will become active. Click on it to update the user identification.



3. The **new password must be recorded and kept in a secure place**. To change the password, click on the **New Password** button, enter your new password and confirm the change.
4. When you have logged on as either Administrator or Supervisor, the status will appear at the bottom of the CCV task bar as follows:



Delta Server

Delta Server Introduction

The Delta Server receives the IP Office call data via the LAN.

The Delta Server is a component to which all the CCC modules connect. It is able to support up to **80** simultaneous client connections and consists of software that ensures every activity on the telephone system is passed through to these modules. An example of an activity could be that an agent has 'logged on' which would clearly impact the real time Call Center View and the Wallboard Manager software.

The Delta Server additionally holds a model of the IP Office such that each time a new CCC module is started it will synchronise itself with "today's" data, thus ensuring consistency between clients irrespective of when they were started.

Launching Delta Server

Ensure the Delta Server has established connection with the telephone system. Every time the Server PC is switched on, the Delta Server starts up automatically, as a service. If the Delta Service has not started then you will not be able to view the web page. To view the Delta Server performing the following:-

- Click the **Start** button on the Windows Taskbar.
- Point to **Programs | CCC | Delta Server**
- Click on **Delta Server**.
- Click on **Comms** in the Toolbar Pane to view the connection information.

The information on the screen is:

Comms Status

This indicates the status of the link between the Delta Server and the telephone system. These are:

- **Init Comms**
Indicates Delta Server is initializing and has established communication with the telephone system (this happens every time you start the Delta Server).
- **Comms Restored**
Indicates that the connection between the Delta Server and the telephone system is established.
- **Comms Failure**
Indicates that the communications link between the Delta Server and the telephone system has been terminated.

Toolbar Fields

The Event Viewer, Event Viewer Selector, Email Notification, Log to File, SMDR, Comms etc. enable access to their display field menus.

For details on configuring and using the Delta Server menus, refer to the separate CCC Administrator's Manual.

Upgrade Procedure

Overview

MultiMedia Module

For the MultiMedia Module, uninstall (control Panel) MMM and reinstall from CCCv4 disc. The original database and records are preserved for use by the software upgrade. As you proceed through the install procedure, you will be asked for account names, server details, etc. Obtain these from the configuration sheets that were compiled on the original installation (refer to separate MMM Installation Manual).

CCCv4 to CCCv5

Please refer to the sections '[Hardware Requirements](#)' and '[Software Requirements](#)' to ensure that the existing system has necessary pre-requisites before upgrading. Two windows components (IIS and .NET) are required by CCCv5 that need to be installed. It is vital that IIS (Internet Information Services) is installed prior to .NET. If these are installed in the wrong order, uninstall .NET and then reinstall.

1. Install [Internet Information Services \(IIS\)](#). If this has already been installed, please check that the version is 1.1 or above.
2. Install [ASP.NET](#) if using a Windows 2003 Server.
3. Perform the installation procedures as detailed in [Installation of CCC Components](#) but use the **Repair** option at the **Welcome** screen instead of Modify.

Note: If a CCCv4 database is being moved to a new CCCv5 installation, ensure that a repair is run on the database after it has been moved so that the database is updated.

CCCv3 to CCCv5

The upgrade from a CCCv3 Server PC to a CCCv5 Server PC is done in five stages. These stages are as follows:

1. MSDE must have the latest service pack installed (SP3) to protect your system from recent viruses that have targeted SQL based servers.
2. The Database containing the historic data needs to be backed up.
3. CCV user profiles, wallboard files, custom reports and any report schedule information need to be backed up.
4. The database structure needs upgrading to make it compatible with CCCv4.
5. The new applications need to be installed.

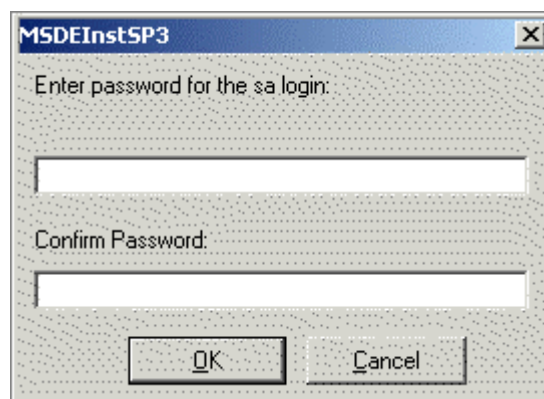
The total time taken to upgrade will be dependant on the current size of the database and the amount of client PC's that need upgrading. As a rough guide 2-3 hours should be sufficient time to complete all upgrade activities.

Note: Custom Reports that have been created in previous versions of CCC can not be migrated into CCCv5. All those reports will need to be re-created within Crystal reports and published within Reporter. Previous versions of CCC used Business Objects to create the custom reports. Custom reports are backed up so that they can be referred back to if needed in the future.

MSDE Upgrade

Recent viruses have led to Microsoft releasing a new service pack for MSDE, service pack 3. If you have not already applied this service pack to your system now is the ideal time to do this. Even if you have applied the service pack you are advised to follow these steps to re-apply the service pack as the install from the CCCv5 application CD will also enable you to set a password for the database login to offer you further security for your data.

1. Close down all of the CCC applications that are running on your Server.
2. Insert the CCCv5 Installation CD into your CD-ROM drive.
3. From the Windows taskbar click **Start**, select **Run** and then click on the **Browse** button.
4. View the CD drive and double click the **MSDE** folder. Select **MSDEInstSP3.exe** and click on the **Open** button. Click the **OK** button to continue.
5. Select the required language for the installation and then click on the **OK** button. The following screen will appear to enable you to setup a password for the database. It is recommended that you set this password to **NMYSBH**:



6. When you have entered the password click on the **OK** button. The installation of the service pack will continue.
7. Once the setup is complete, reboot the PC when requested.
8. Once Windows has restarted log back on and if any of the CCC applications restart make sure that you close them down again before [backing up your database](#).

Backup Your Database

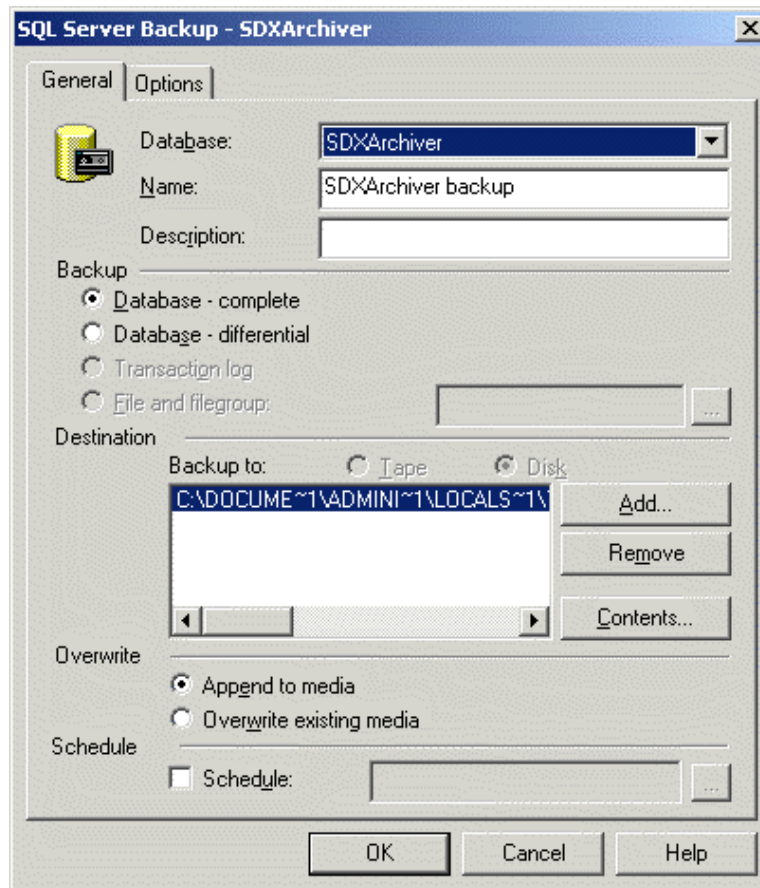
Before proceeding, backup your existing database. This is a precautionary measure that should be taken just in case something goes wrong during the upgrade and you need to revert to the existing database.

1. You will need to create a new directory on your hard drive to backup your files to. In the example shown here we have created a directory on the D Drive called "Backup".

Note: The database can be up to 2 gigabytes in size so make sure that you create your backup directory on a drive that has enough storage space.

2. From the Windows taskbar click **Start**, select **Programs | CCC | Database Server Supervisor**. Remember that the password is the one that you set during the installation of MSDE service pack
3. Click on **OK** to continue.
3. Expand the Databases and Management trees and then right click on **Backup** and select **New Backup Device**. This is so that we can create a backup device to store our existing database on.
4. Give the backup device a name and set a location and filename for the backup and click on **OK**.
5. Right click on **SDXArchiver** in the databases tree and select **Backup Database**.

- The following screen will appear. If there is anything listed in the Destination box select it and click on **Remove**.



- Add the new backup device that was have created to be the destination for the database backup. Click on **Add** and, from the **Backup Device** drop down list that appears, select your backup device. Click on **OK**.
- Make sure that you select the **Database – complete** and **Overwrite existing media** options and then click on **OK** to start the backup.
- The database backup will now start. The length of time this takes depends on how much data you have stored in your database.
- When the backup has completed click on **OK** and then close down the Database Server Supervisor application.
- If you now browse to your backup directory you will be able to see the database backup file that you have just created.

The [CCC files](#) now need to be backed up.

Backup CCC files

The operator profiles used for Call Centre View, the wallboard files, any custom reports and any report schedule information need to be backed up. The Call Centre view profiles, wallboard files and custom reports will not be overwritten and are backed up as a precaution, the report schedule information will be overwritten and will need to be re-entered when the system has been upgraded.

Note: Custom Reports that have been created in previous versions of CCC can not be migrated into CCCv5. All those reports will need to be re-created within Crystal reports and published within Reporter. Previous versions of CCC used Business Objects to create the custom reports. Custom reports are backed up so that they can be referred back to if needed in the future.

1. Explore to **C:\Program Files\Avaya\IP400\CCC\CallCentreView** and copy the **Operator** directory to your backup directory that you created earlier. This directory contains the user profiles used for Call Centre View.
2. Explore to **C:\Program Files\Avaya\IP400\CCC\WBServer** and copy the following files:
 - Aggregatevars.mdb
 - Devices.mdb
 - Wallbrd.mdb
 - Sdxwb.ini

If you are using PC Wallboards then also copy the **Users** directory in the WBServer directory. Copy all of these files to your backup directory.

3. If you have created any custom reports then copy these to your backup directory. A new set of standard reports will be installed with CCCv5 so you do not need to back these up.
4. If there were any reports scheduled to print via the Report Scheduler then restart the Report Scheduler and make a note of the schedule list and distribution. Once you have made a note of the schedule close the application down.

The database now needs to be [uplifted](#) so that it is compatible with the new structure of CCCv5.

Database Uplift

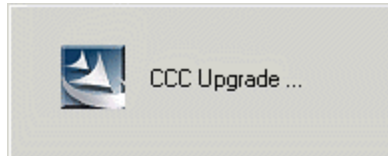
Before the CCCv5 applications are installed we need to modify the database so that it is compatible with the new database structure of CCCv5. To do this we use a tool supplied on the CCC CD-ROM to "uplift" it to the correct level.

1. Browse to your CD-ROM drive containing the CCCv4 CD and go to the **Database Uplift** directory. Copy the **DBUplift3.exe** file and paste it on to the desktop.
2. Double click on the application to run it. Select your required language and click on **OK**.
3. Select your server and remember to enter the password that you set earlier when applying the service pack to MSDE. Click on **OK**.
4. A popup screen will appear telling you that the database on ARCHIVERSQL will be upgraded. Click on **Yes** to start the uplift procedure.
5. The uplift will now start modifying the database structure and applies any changes necessary to make it compatible with CCCv5.
6. Once the uplift has completed click on **OK** and then close down the uplift tool.

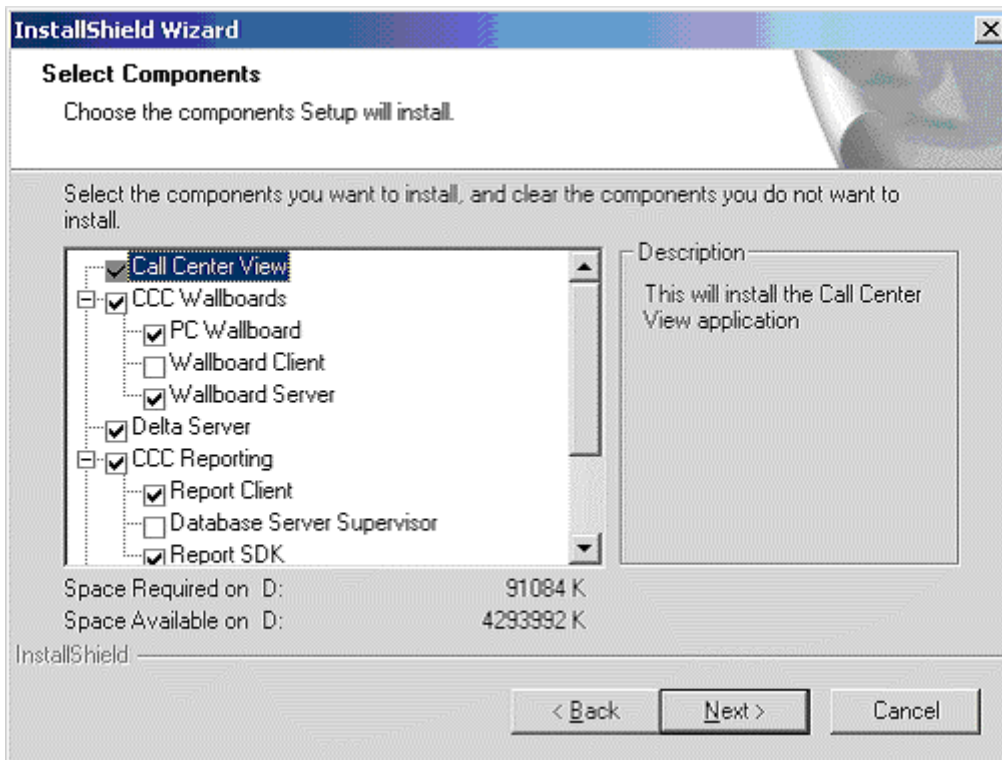
The new [CCCv5 applications](#) can now be installed.

Install CCCv5 Applications

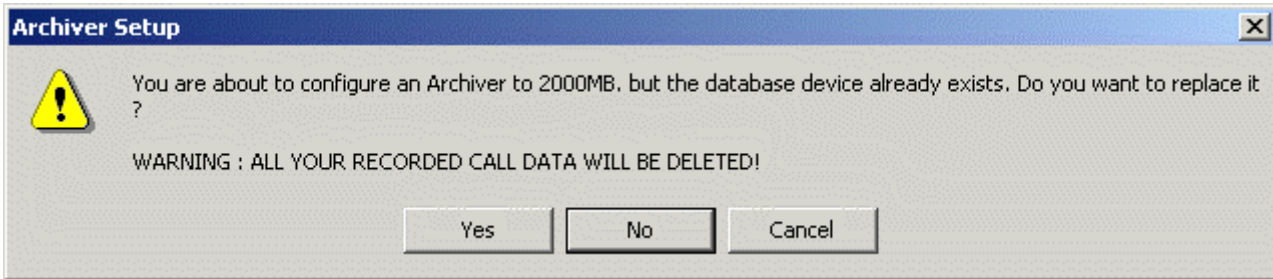
1. From the Windows taskbar click **Start**, select **Run** and then click on the **Browse** button.
2. View the CD drive and double click the **CCC** folder. Select **Setup.exe** and click on the **Open** button.
3. Click the **OK** button to continue.
4. Select the required language and click on **OK**.
5. The InstallShield Wizard starts and after a few minutes the upgrade begins by moving all of your existing applications into a new directory structure. Currently the CCC files will be stored at **C:\Program Files\Avaya\IP400\CCC** but during the upgrade they are moved to **C:\Program Files\Avaya\IP Office\CCC**. Whilst this is happening the following screen will be displayed.



6. Once the files have been moved the new applications need to be installed. At the InstallShield Wizard click **Next**.
7. The components screen then appears. Make sure that you select the correct components to install. You must select the applications that you have already installed so that they can be upgraded. The screen below shows most of the options that you should be installing on your Server, you may also need to select the CCV Alarm Reporter installation as well (not shown).



8. Click on the **Next** button to start the installation.
9. At approximately the 50% progress mark the following screen will appear. Make sure that you click on **NO** as you do not want to overwrite your existing historical call data.



10. You will then be asked if you want to overwrite your **Reports Database**. You must make sure that you click on **YES** to make sure that the latest CCCv5 Reports are installed.
 11. When the installation has completed click on **Finish** and when the InstallShield Wizard has closed down reboot the PC.
 12. Once Windows has restarted log back on and make sure that all of your new CCCv5 applications start.
 13. If you had any reports scheduled via the Report Scheduler then open these reports and reschedule them.
- Once your Server is upgraded and running you need to [upgrade any client PC's](#) that you have.

Client Upgrade

1. Create a directory to backup your files to.
2. You need to backup your CCV operator profiles and any custom reports as described in the [MSDE Upgrade](#) section. These should be stored in your backup directory. You do not need to back up any PC Wallboard files as these are stored on the Server PC and only a local copy exists on the Client PC.
3. Insert the CCCv5 application CD-ROM into your CD drive.
4. From the Windows taskbar click **Start**, select **Run** and then click on the **Browse** button.
5. View the CD drive and double click the **CCC** folder. Select **Setup.exe** and click on the **Open** button.
6. Click the **OK** button to continue.
7. Select the required language and click on **OK**.
8. The InstallShield Wizard starts and after a few minutes the upgrade begins by moving all of your existing applications into a new directory structure, as explained previously in the [MSDE Upgrade](#) section.
9. Once the files have been moved the new applications need to be installed. At the InstallShield Wizard click **Next**.
10. The components screen then appears. Make sure that you select the correct client components to install. You must select the applications that you have already installed so that they can be upgraded.
11. Click on the **Next** button to start the installation.
12. When the installation has completed click on **Finish** and when the InstallShield Wizard has closed down reboot the PC.
13. Once Windows has restarted log back on and make sure that all of your new CCCv5 applications start.

Upgrade to SQL 2000 Procedure

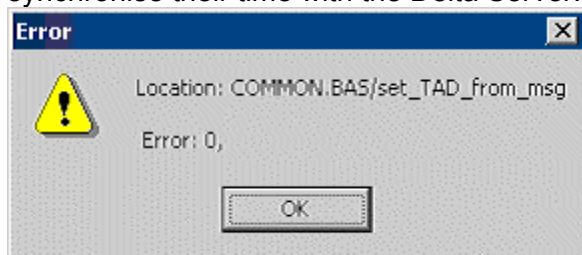
The following steps will upgrade an installation of MSDE 2000 to SQL Server 2000.

1. Insert the SQL Server 2000 disk into your CD-ROM drive. If the compact disk does not auto run, double click Autorun.exe in the root directory of the compact disk.
2. Select **SQL Server 2000 Components**, select **Install Database Server** and then at the **Welcome** screen, click **Next**.
3. In the Computer Name screen, Local Computer is the default option and the local computer name appears in the edit box. Click **Next**.
4. In the Installation Selection screen, click **Upgrade, remove or add components to an existing instance of SQL Server**, and then click **Next**.
5. Enter the 25 digit CD-Key and click **Next** to continue.
6. In the Instance Name box, default will be selected, click **Next**. (When upgrading the existing installation of MSDE 2000 automatically becomes the default instance of the SQL Server 2000).
7. At the existing Installation screen, click **Upgrade your existing installation** and then click **Next**.
8. At the Upgrade screen, you are prompted as to whether you want to proceed with the requested upgrade. Click **Yes, upgrade my SQL Server Tools and Data** and then click **Next**.
9. At the Connect to Server screen, select the **SQL Server System administrator login information (SQL Server authentication)**. Ensure the Enter sa Password field is empty and then click **Next**.
10. At the Start Copying Files screen, click **Next**.
11. In the Choose Licensing Mode dialog box select **Processor License for** and enter **1** if installing on a PC with one processor otherwise enter **2** if installing on a PC with 2 processors. Click Continue. The file installation process begins.
12. At the Setup Complete screen, click **Yes, I want to restart my computer now**, and then click **Finish**.
13. The SQL Server 2000 Components need to be installed now. Re-insert your SQL Server 2000 disk into your CD-ROM drive. If the compact disk does not auto run, double click Autorun.exe in the root directory of the compact disk.
14. Select **SQL Server 2000 Components**, select **Install Database Server** and then setup prepares the SQL Server Installation Wizard. At the Welcome screen, click **Next**.
15. At the Computer Name screen, Local Computer is the default option and the local computer name appears in the edit box. Click **Next**.
16. At the Existing Installation screen, click **Add components to your existing installation** and then click **Next**.
17. At the Select Components screen, select the required components. It is recommended that in addition to Server Component being selected that you have Management Tools and Client Connectivity options selected. Click **Next** to continue.
18. In Start Copying Files dialog box click **Next** and In the Setup Complete screen click **Finish**.

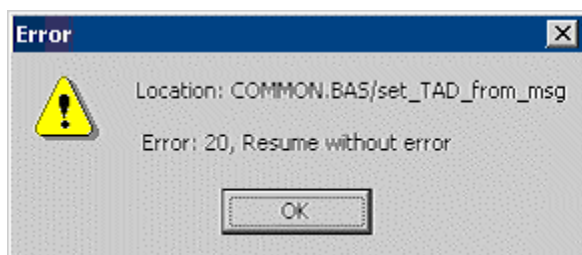
Trouble Shooting

CCC Installation

1. If, for whatever reason, the Server PC has to be renamed, **do not** use spaces in the new name (Microsoft SQL cannot be guaranteed to operate correctly).
2. When shutting down a Server PC, ensure that **all** CCC applications are closed before shutting down.
3. When re-booting, if a Delta Server Port access is denied message appears, (port number conflict), consult with your Network Administrator to obtain a free port number.
4. In some situations you may need to install Archiver separately to achieve an installation with just a Delta Server and Archiver. If just the Delta Server is selected to be installed, then the Archiver is installed automatically. This type of installation may be used for multiple Delta Servers reporting to one shared and remote SQL Server.
5. If the following error messages appear you need to ensure that the Client PC's are able to synchronise their time with the Delta Server.



followed by:



The messages imply that Call Center View is not able to synchronise the time of the local machine running Call Center View with the Delta Server host.

Close Call Center View and [set permissions](#) to allow the user running CCV to change the system time.

Wallboard Server/Client

On the Wallboard Server/Client, scheduled messages can only be removed from the schedule by a user with a higher access level than the User that scheduled the message or by the user that scheduled the message. It therefore follows that if a user with Administrator access rights has scheduled a message then only that User can remove that message from the schedule.

Index

1
 10 tri-color
 consisting 25
 10 tri-color 25
 10/22 Wallboards
 Ferrograph 43
 10/22 Wallboards 43
 108W 32
 120 Ohm
 connect 30
 120 Ohm 30
 120V AC 32
 120W 40
 12V 35
 150W 39
 18 5x8 LED
 consisting 32
 18 5x8 LED 32

2
 2000MB
 Archiver 14
 2000MB 14
 20-character tri-color 39
 220/240V AC OR 110V AC 32
 22-character tri-color Wallboard 32
 240/110V 40
 240V AC 32
 24V DC 35
 25
 Enter 55
 2Gb 12
 2nd 41

3
 30A 25, 32
 32-character 21, 22
 3314C 39
 35W 25
 3rd 24
 3rd Party Voice Mail 24

4
 4.4kg 40

5
 5V RMS 38

6
 6-mm
 drill 34
 6-mm 34
 6ms 25, 32
 6-pin DIN 34, 35

8
 800
 set 9

9
 9600
 set 29, 37
 9V DC 32

A
 AC 38

Access
 DIP 42
 Wallboard 10 28
 Access 28, 42
 Access Permissions 17
 Add 17, 23, 49, 55
 Add button 44
 Add/Remove 9
 Add/Remove Programs icon 10
 Add/Remove Windows Components button 10
 Additional Equipment 34
 Address ID
 set 42
 Address ID 42
 Addressing
 DIP 42
 Addressing 42
 Admin 45
 Admin Password 45
 Administrative Tools
 Open 14
 Administrative Tools 11, 14, 17
 Administrator 2, 45, 57
 AdvaTel 43
 AdvaTel TCD226 Wallboard 40
 AdvaTel TCD226C 40
 AdvaTel Wallboards 40
 AGENT 3, 19, 23
 Agent – ACD Agent 23
 Agent PCs 2, 7, 13, 19
 Agent PCs Installation 19
 Agent Statistics 24
 Agent Status Information 24
 Agent/Agent Group 24
 Agents 24
 Agents, Groups 23
 Aggregatevars.mdb 51
 Agree 14
 Alarm Reporter 1, 2, 17
 Alarm Settings 45
 Alarm WB Destination 45
 All RJ45 34
 Allows
 10 26
 DC 34
 Allows 17, 26, 34
 Alpha Tag 43, 44
 Alternating
 ON/OFF Blocks 30
 Alternating 30
 And/or 31, 36, 43
 Ans 24
 Answered 24
 Application CD
 insert 14
 Application CD 14
 Application Server Screen 10
 Apply 11
 Apply button 14, 17
 Archiver
 2000MB 14
 Archiver 14, 57

ARCHIVERSQL	51	CCC 5.0	2
ASP.NET		CCC Administrator's Manual	46
Windows 2003	10	CCC Application	13, 21
ASP.NET	10	CCC CD-ROM	51
Associated	24	CCC Client	
Authenticated Users	17	Software Requirements	19
Autorun.exe	55	CCC Client	17, 19
Available Ports	44	CCC Client PC	19
Avaya's Compact Contact Center	2, 3	CCC Components	
B		Installation	13
Backup	49	Server PC	13
Backup CCC files	51	CCC Components	13
Backup Database	49	CCC Delta Server	14
Backup Device	49	CCC Folder	14
Backup Your Database	49	CCC Installation	57
Baud		CCC Installation CD	
Ensure	29, 37	Insert	12
Baud	29, 37, 41	CCC Installation CD	12
Baud Rate	25, 29, 32, 37, 38, 39, 40	CCC License Keys	22
Below	4	CCC Licenses	21
Bit	9	CCC Manager	4, 23
Beeper	40, 42	CCC on IP Office	3
Beeper Volume Control	42	CCC PCs	23
Blocks		CCC Reporter	18
Green	31, 36	CCC Reporting	18
Blocks	31, 36	CCC Reporting Admin Console menu	14
Blue Pumpkin	1, 14	CCC Server	
Board		Enter	14
RS485	28	Software Requirements	9
Board	28	CCC Server	9, 14
Browse button	12, 14, 48, 52, 54	CCC Server Name	13
Business Objects	47, 51	CCC Server PC	4
C		CCC Software	2
C		CCC Svr RFA	22
Explore	51	CCC System Supervisor's	2
moved	52	CCC User Access	
C	14, 17, 51, 52	Starting	45
Calendar	14	CCC User Access	1, 45
Call	24	CCC User Access Icon	45
Call Center View		CCC user's email	
running	57	enter	14
use	3	CCC user's email	14
Call Center View 1, 2, 3, 4, 6, 7, 17, 19, 24, 45, 46, 57		CCC Wallboard Installation	43
Call Center View Alarm Reporter	1	CCCv3	
Call Center View implementations	23	CCCv5	47
Call Centre	51	CCCv3	47
Call Centre View	51	CCCv4	
Call Flow	24	CCCv5	47
Call Totals	24	CCCv4	47
Calls Waiting	24	CCCv4 CD	
Cancel button	44	containing	51
CAUTION	45	CCCv4 CD	51
Cavity rawl	33	CCCv5	
CCC		CCCv3	47
connecting	23	CCCv4	47
loading	9	structure	51
operating	2	CCCv5	47, 51, 52, 54
Overview	3	CCCv5 application CD	48
part	12	CCCv5 application CD-ROM	
Point	43	Insert	54
running	22	CCCv5 application CD-ROM	54
CCC ... 1, 2, 3, 7, 9, 12, 13, 14, 17, 18, 19, 22, 23, 24, 43, 46, 47, 48, 49, 51, 52, 54, 57		CCCv5 Reports	52
		CCV	
		running	57

Index

CCV	1, 45, 47, 54, 57
CCV Alarm Reporter	4, 6, 7, 14, 19, 45, 52
CCV Alarm Reporter application	
run	45
CCV Alarm Reporter application	45
CD	
View	12, 14, 52, 54
CD	10, 12, 14, 52, 54
CD Drive	14
CD-Key	55
CD-ROM	51, 55
Ceiling	
Mounting	34
Ceiling	34
Center's	1
CFD	1
CFD's	
manage	1
CFD's	1
Change	
Comm Ports	44
CRM Host	14
Network Number	44
Change	14, 44
Change Network Number button	44
Change Port button	44
Check	
Status	22
Wallboards	44
Check	22, 44
Check Wallboard Operation	44
Choose Licensing Mode dialog	55
Classic View	11
Cleaning	
Display Screen	31, 36
Cleaning	31, 36
Client	
use	7
Client	2, 3, 4, 7, 18, 19
Client Connectivity	55
Client Hardware Specifications	19
Client PC	6, 7, 17, 54
Client PCs	7, 13, 45
Client PC's	6, 17, 57
Client PCs Installation	19
Client Pre-requisites	7
Client Software Modifications	19
Client Upgrade	54
Close button	44
Close Call Center View	57
Close Delta Server	14
Cold Start Inrush Current	25, 32
Colour	31, 36
COM	41
Comm Ports	
Change	44
Comm Ports	44
Comms	14, 46
Comms Failure	46
Comms Restored	14, 46
Comms Status	14, 46
Communications Card	43
Communications Port	
Select	43
Communications Port	43
Communications Type	41
Compact Call Center	22
Compact Contact Center	
shows	4
Compact Contact Center	1, 4, 7
Compact Contact Center Manager	
shows	4, 6
Compact Contact Center Manager	4, 6
Company DDI	23
Compatible External Devices	35
Componments	
Depending	14
Componments	14
Computer Name	55
Configuration	22, 28
Connect	
120	38
120 Ohm	30
CCC	23
Server	55
Connect	23, 30, 38, 55
Connection Details	35
Connections	36
Consisting	
10 tri-color	25
18 5x8 LED	32
Consisting	25, 32
Contact Center	1
Contact Center Environment	23
Contact Center Manager	23
Contact Center Profile	1
Containing	
CCCv4 CD	51
DB9	40
Containing	40, 51
Continue	55
Continuous/Pulsed Single Tone Sounders	35
Control	
MSDE	12
Control	12
Control Panel	10, 14
Copy	
DBUplift3.exe file	51
Operator	51
Save	22
Users	51
Copy	22, 51
Creating	
Logon	18
Creating	18
CRM	14
CRM Host	
change	14
CRM Host	14
CRM Host Name	13
CRM Server	14
CRM Tab	14
Crystal	47, 51
Crystal Reports	
designing	7
Crystal Reports	7
CSV	1
Custom Reports	47, 51

Customer Facing Department.....	1	DIP	42
D		Dip Switch Settings	37
D 129	39	Dip Switches	28
D 60	40	Dip-Switch Details	34, 37
D 75	25, 32	Dip-switch Number	29
D Drive	49	Directory Numbers	
Daisy Chain.....	42	Naming.....	23
Data	55	Directory Numbers	23
DATA BIT/SEC	37	Display Board Assembly	32
Database		Display Screen	
Expand	49	Cleaning.....	31, 36
select	49	Display Screen	31, 36
Upgrade	2	Domain.....	17
Database.....	1, 2, 24, 47, 49	Domain Administrator	17
Database Management	14	Domain Controller	9
Database Server	14	Drill	
Database Server Supervisor.....	6, 7, 49	6-mm.....	34
Database Server Supervisor application	49	Drill.....	34
Database Server/Name	14	Drives	
Database Uplift	51	LED	32
DB9		Drives.....	32
Contains.....	40	E	
DB9	40, 41	EBusiness	
DBUplift3.exe file		support.....	1
Copy	51	EBusiness	1
DBUplift3.exe file	51	Edit.....	22
DC		Email	13, 14, 18
allows	34	E-mail	1
DC	34	Email Address	13
DC Voltage.....	35	Email Notification	46
DDIs	23, 24	Email Tab	14
Default button.....	44	Enables Compact Call Center	22
Default Settings.....	45	Enables Email	22
Delta Server		Enables PC Wallboards.....	22
Ensure	46	End	
Launching	46	RJ45.....	42
start.....	46	End.....	42
view.....	46	English	9, 19
Delta Server.....	4, 6, 7, 14, 17, 18, 23, 43, 46, 57	Ensure	
Delta Server application		Baud.....	29, 37
Start	14	Delta Server	46
Delta Server application.....	14	Enter sa Password.....	55
Delta Server email	9	LED	31, 36
Delta Server Introduction	46	Ensure.....	29, 31, 36, 37, 46, 55
Delta Server Port	57	Enter	
Delta Service.....	46	25.....	55
Depending		CCC Server	14
componments	14	CCC user's email.....	14
Designation	24	IP Address	14
Designing		License Keys	22
Crystal Reports	7	License Server IP Address	22
Designing	7	Network Number	43
Destination	49	Server	23
Destroy		Server Port.....	14
RS485.....	38	SQL Server Name	14
Destroy.....	38	Enter	14, 22, 23, 43, 55
Details button	10	Enter sa Password	
Device	43	Ensure.....	55
Devices menu	43, 44	Enter sa Password.....	55
Devices.mdb	51	Enterprise Manager	12
Diagonal Stripe Test	38	Event Log.....	11
DIP		Event Log Settings.....	11
access.....	42	Event Viewer	
addressing	42	exit	11

Index

Expand.....	11
Event Viewer.....	11, 46
Event Viewer Selector.....	46
Existing	
Installation.....	55
Existing.....	55
Existing Installation.....	55
Exit	
Event Viewer.....	11
Exit.....	11
Expand	
Databases.....	49
Event Viewer.....	11
Expand.....	11, 49
Explore	
C.....	51
Explore.....	51
External Alarm Device.....	34
Eyehole.....	33, 34
Eyeholes.....	34
F	
Farnell Electronics Catalogue.....	35
Farnell Reference.....	35
Feature Key	
Serial Number.....	21
Feature Key.....	21, 22
Feature Key Server.....	21
FEC143-400.....	35
FEC143-402.....	35
FEC143-403.....	35
Ferrogaph	
10/22 Wallboards.....	43
Ferrogaph.....	35, 43
Ferrogaph Wallboard.....	43
Ferrogaph Wallboard 10.....	25
Ferrogaph Wallboard 22.....	32
Fields.....	46
Fifteen Agent Systems.....	4
File	
Log.....	46
Finish.....	52, 54, 55
Finish button.....	14, 43
Fit	
RJ45.....	34
Fit.....	34
Freeze Display.....	30
Full Screen LED Test.....	38
FUNCTION.....	38
G	
General	
view.....	23
General.....	1, 23, 44
Gigabytes.....	49
GLOBAL.....	23
GOS.....	24
Green	
blocks.....	31, 36
Green.....	31, 36
Green Text.....	38
Ground Loops.....	38
Group.....	24
Group – Agt Group.....	23

H	
H 123.....	25
H 125.....	40
H 196.....	39
H 198.....	32
Hardware.....	44
Hardware Connections.....	41
Housing.....	33
I	
ID.....	42
ID Addresses.....	42
IDC.....	40
IDD.....	1
IEC Connector.....	35
IEC Power.....	33
IIS	
Windows 2000.....	10
IIS.....	9, 10, 47
IIS Installation.....	10
In	
Setup Complete.....	55
Incorporating	
RJ45.....	32
Incorporating.....	32
Indicates Delta Server.....	46
Information Screen.....	30, 38
Init Comms.....	46
Input	
TCD Wallboards.....	41
Input.....	36, 41
Insert	
Application CD.....	14
CCC Installation CD.....	12
CCCv5 application CD-ROM.....	54
SQL Server 2000.....	55
Insert.....	12, 14, 54, 55
Install ASP.NET.....	9
Install CCCv5 Applications.....	52
Install Database Application.....	12
Install Database Server.....	55
Install New Wallboard.....	43
Installation	
CCC Components.....	13
existing.....	55
Microsoft.....	14
Installation.....	13, 14, 33, 55
Installation Manual.....	1
Installation Selection.....	55
Installing	
100.....	38
IP Office.....	2
MSDE 2000.....	14
PC.....	55
Report Server.....	14
Installing.....	2, 14, 38, 55
Installs CCC Reporter.....	7
InstallShield.....	14
InstallShield Wizard.....	14, 52, 54
Instance Name.....	55
Interaction Manager.....	14
Internet.....	21
Internet Explorer.....	21
Internet Explorer 5.5.....	9
Internet Information Services.....	10, 47

Introduction	7, 25, 32, 39, 40	Local Security Policy.....	17
Invalid.....	22	Local Security Settings	17
IP Address		Localhost.....	14
Enter	14	Log	
PC.....	22	File	46
IP Address	14, 22	Log	11, 46
IP Office		Logic Control Board	32
Install	2	Login	24, 48, 55
IP Office	2, 14, 21, 23, 25, 43, 46	Login Codes.....	24
IP Office Address.....	13	Login Idle Period	
IP Office License.....	21	use	24
IP Office Manager application.....	22	Login Idle Period	24
IP Office Software.....	21	Logon	
IP Office System		creating	18
programming.....	21	Logon	18
IP Office System	21	Logon Requirements	18
IP400 CCC AGT RFA	22	Longest Wait.....	24
IP400 CCC Designer RFA	22	Lost	24
IP400 CCC EMAIL CTI RFA.....	22	Lost Calls	24
IP400 CCC EMAIL RFA.....	22	LWait.....	24
IP400 CCC PCW RFA	22		
IP400 CCC Report RFA.....	22	M	
IP400 CCC Rostering RFA	22	Mailbox Set-up	23
IP400 CCC SVR RFA	22	Mains Power Lead	35
IP400 CCC Wallboard	22	Manage	
IP400 CTI Pro RFA	22	CFD's	1
IP400 Email CTI RFA	22	Manage	1
Issue	2	Management.....	49
		Management Tools	55
L		Manager.....	21
L 1021	39	Manager application.....	22
L 1097	32	Manual	2
L 1207	40	MAPI	23
L 469	25	Masonry rawl.....	33
L Wait.....	24	Meters	
Lamp	2	PC RS485.....	30
LAN	1, 46	Meters	30
Launch Archiver	14	Metre.....	34, 38
Launching		Metres	
Delta Server.....	46	PC RS485	38
Launching	46	Metres	38
LED		Microsoft	
drives	32	Installation.....	14
ensure.....	31, 36	Microsoft	14, 48
LED	30, 31, 32, 36	Microsoft Exchange Server.....	23
LED Illumination Test Inspection	31, 36	Microsoft SQL	57
LED Matrix Scanning Inspection.....	31, 36	Microsoft SQL Server 2000 Installation	12
Level 2.1	21	Microsoft Windows 2000 Pro	19
Level 3.0	2	Microsoft Windows 2000 Server	9
Level 5.0	2	Microsoft Windows 2003 Server	9
License.....	22	Microsoft Windows XP Pro	19
License Keys		Microsoft .Net Framework 1.1.....	14
Entering	22	MMM	1, 47
License Keys.....	22	MMM Installation Manual	47
License Server IP Address		Modify	47
Enter	22	Mounting	
License Server IP Address	22	Ceiling.....	34
List		Mounting	34
Packing	33	Moved	
Loading		C	52
CCC	9	Moved	52
Loading	9	MS Exchange Server.....	18
LOCAL.....	23	MS Internet Explorer 5.5.....	19
Local Computer.....	55	MS Outlook	9
Local Policies	17	MSCRM	14

Index

MSDE		
control	12	
pack	48, 51	
MSDE	7, 12, 47, 48, 49, 51	
MSDE 2000		
installing	14	
SQL Server 2000	55	
MSDE 2000	12, 14, 55	
MSDE 2000 Installation	12	
MSDE Upgrade	48	
Multi Media Module	47	
MultiMedia Module	1, 14, 47	
My Computer		
Use	14	
My Computer	14	
My Computers Icon	11, 13	
N		
Naming		
Directory Numbers	23	
PC	14	
Naming	14, 23	
NET	9, 47	
NET Framework 1.1	14	
Network Addressing	34, 37	
Network Administrator	57	
Network Number		
Change	44	
Enter	43	
Network Number	38, 43, 44	
Network Numbers 1-15	43	
New Backup Device	49	
New Password button	45	
Next	10, 14, 52, 54, 55	
Next button	43, 52, 54	
NMYSBH	12, 14, 45, 48	
NO	14, 52	
No Name	23	
NOMINAL VOLTAGES	32	
Non-Voice Mail Pro	24	
Normal Operation	30	
Normal Running	38	
NOT	43	
O		
OFF	29, 30, 31, 36, 37, 38	
OFF Position Represents	37	
Office	2	
OK	10, 11, 12, 14, 17, 23, 49, 51, 52, 54	
OK button	12, 48, 52, 54	
ON	29, 30, 31, 36, 37, 38	
ON button	44	
ON Position Represents	37	
ON/OFF Blocks		
Alternating	30	
ON/OFF Blocks	30	
ONLY	35	
Open		
Administrative Tools	14	
Open	14	
Open button	48, 52, 54	
Operating		
CCC	2	
Software Level 2.1	2	
Operating	2	
Operating System	10	
Operator		
copy	51	
Operator	51	
Outlook icon	23	
Output	36	
Overflowed to/From	24	
Overview		
CCC	3	
Overview	3, 21, 47	
Overwrite	11, 49	
P		
Pack		
List	33	
MSDE	48, 51	
Pack	33, 48, 51	
Panel	47	
Part		
CCC	12	
Part	12	
PBX	14	
PC		
installing	55	
IP Address	22	
name	14	
PC 1, 7, 12, 13, 14, 21, 22, 23, 25, 28, 30, 32, 38, 39, 40, 41, 43, 45, 48, 52, 54, 55		
PC Com	40	
PC Communications	41	
PC RS485		
Meters	30	
metres	38	
PC RS485	30, 38	
PC TX	30, 38	
PC Wallboard	1, 2, 4, 6, 7, 17, 44, 51, 54	
PC Wallboard application	19	
PC Wallboard Quick Reference Guide	2	
PC Wallbord	22	
PCA	24	
PCs	3	
PC's	47	
Permissions	17	
Pin	36	
Pin Mini-DIN	35	
Point		
CCC	43	
Programs	43, 46	
Point	43, 46	
Polycarbonate	32	
Popup	51	
Power Supply	32	
Pre-installation	9	
Prepares		
SQL Server Installation Wizard	55	
Prepares	55	
Pre-requisites	47	
Processor License	55	
Program Files/Avaya/IP Office	17	
Program Files/Avaya/IP Office/CCC	14, 52	
Program Files/Avaya/IP400/CCC	52	
Program		
Files/Avaya/IP400/CCC/CallCentreView	51	
Program Files/Avaya/IP400/CCC/WBServer	51	
Programming		

IP Office System	21	RS485	
Programming	21	board	28
Programs		destroy	38
Point	43, 46	RS485	25, 28, 30, 32, 34, 38, 39
Programs	11, 17, 43, 46, 49	RS485 Communication Systems	38
Properties		RS485 Connection	28
select	13	RS485 Line Driver	38
Properties	11, 13, 17, 23	RS485 Serial Connection	34
Properties button	44	Run	
Provides		Call Center View	57
realtime	1	CCC	22
Provides	1	CCV	57
PSU	40	CCV Alarm Reporter application	45
R		Windows 2000/2003	4
Read/write	17	Run	4, 12, 22, 45, 48, 52, 54, 57
Realtime		RX	30, 38
Provides	1	S	
Realtime	1	S	9, 19, 43, 44
Red	31, 36	Sa	12, 14
Red Text	38	Save	
Refresh	44	Copy	22
Regional Options	9	Save	22
Remove		Screws	33
Wallboard	44	SDXArchiver	14, 49
Remove	44, 49	Sdxwb.ini	51
Remove button	44	Security	11, 17
Repair		Security Tab	17
use	47	Select	
Repair	47	Communications Port	43
Report Client	6, 7	Database	49
Report Designer	2	Properties	13
Report Manager	1, 24	SQL Server System	55
Report Scheduler	51, 52	Wallboard	44
Report SDK		Select	13, 43, 44, 49, 55
view	14	Select Application Server	10
Report SDK	7, 14	Select Components	55
Report Server		Select Components menu	14
install	14	Select File	22
Report Server	4, 6, 7, 14	Select Internet Information Services	10
Report Viewer	12	Select License	22
Reporter	47, 51	Select Manage	11
Reporter application	18	Select MSDEInstSP.exe	12
Reporting	3	Select MSDEInstSP3.exe	48
Reports Database	52	Select Setup.exe	52, 54
Requiers IP400 CTI Pro RFA	22	Select SQL Server 2000 Components	55
Required	13	Select System	22
Requires CCC Svr RFA	22	Self	44
Resetting		Self Test OFF button	44
Wallboard	43	Serial Connection	28, 34
Resetting	43, 44	Serial Number	
Restart	14	Feature Key	21
RFA	22	Serial Number	21
RJ45		Serial Port	41
end	42	Server	
Fit	34	Connect	55
incorporating	32	Enter	23
RJ45	28, 30, 32, 34, 36, 38, 40, 41, 42	Server	2, 3, 7, 13, 14, 18, 23, 45, 48, 52, 55
RJ45 Plug	38	Server Component	55
RJ45 Receive/Transmit	41, 42	Server Hardware Requirements	9
RJ45 Socket	36	Server License	21
RJ45 Terminal Box	33	Server PC	
Rostering	1, 22	CCC Components	13
RS232	40, 41	Server PC	3, 4, 6, 7, 9, 13, 14, 22, 46, 54, 57
RS232 Connection	28	Server PC Installation	14, 19

Index

Server Port		
Enter	14	
Server Port	14	
Server Type	14	
Server, Client	7	
Server/Client	14	
Server/Client PCs	2	
Service Tab	14	
Services icon	14	
Set		
800	9	
9600	29, 37	
Address ID	42	
True Color	9	
Set	9, 29, 37, 42, 44	
Settings	10	
Setup Complete		
In	55	
Setup Complete	55	
Setup.exe	14	
Shows		
Compact Contact Center	4	
Compact Contact Center Manager	4, 6	
Shows	4, 6	
Sign Rx	36	
Sign Tx	36	
Signal Ground	36	
SMDR	46	
SMTP Server	14	
SMTP Server Name	13	
Socket View	35	
Software	2	
Software Level 2.1		
operating	2	
Software Level 2.1	2	
Software Requirements		
CCC Client	19	
CCC Server	9	
Software Requirements	9, 19	
Software Version Sign Type	38	
SP1	9	
SP3	9, 47	
Spectrum	43	
Spectrum 4120C	39	
Spectrum Remote Controller		
use	39	
Spectrum Remote Controller	39	
Spectrum Wallboard	39, 43	
Spun	33	
SQL	47	
SQL 2000	12	
SQL 2000 Procedure		
Upgrade	55	
SQL 2000 Procedure	55	
SQL Server	14, 55, 57	
SQL Server 2000		
Insert	55	
MSDE 2000	55	
SQL Server 2000	55	
SQL Server 2000 Components	55	
SQL Server Installation Wizard		
prepares	55	
SQL Server Installation Wizard	55	
SQL Server Name		
Enter	14	
SQL Server Name	13, 14	
SQL Server Security	14	
SQL Server System		
select	55	
SQL Server System	55	
SQL Server Tools	55	
Staff Management	23	
Standalone Server	7	
Standalone Server PC	7	
Standard Reports	23	
Start Programs	14	
Start Settings	14	
Start button		
Windows taskbar	43, 46	
Start button	17, 43, 46	
Start Copying Files	55	
Start Copying Files dialog	55	
Start IP Office Manager	22	
Starting		
CCC User Access	45	
Delta Server	46	
Delta Server application	14	
Wallboard	44	
Wallboard Server	43	
Starting .. 10, 11, 12, 14, 43, 44, 45, 46, 48, 49, 52, 54		
Startup	14	
Status		
check	22	
Status	22	
Structure		
CCCv5	51	
Structure	51	
Supervisor	7, 45	
Supervisor Position	7	
Support		
eBusiness	1	
Support	1	
SW1	29, 37	
SW2	29, 37	
SW3	29, 37	
SW4	29, 37	
SW5	37	
SW6	37	
SW7	38	
SW8	38	
Switchable	40	
Switchable AdvaTel 240/110 VAC	40	
Synchronise	17, 46, 57	
System	11	
System Wiring	30	
Systems above Fifteen Agents	6	
T		
Target	24	
TCD Wallboards		
input	41	
TCD Wallboards	41	
TCD226C	42	
TCD266C Wallboard	41	
TCP/IP	9	
Telephone System	23	
Telephony	1	
Test Functions	30, 38	
Thirs-party	22	

Tick/un-tick.....	14	resetting	43
Time	9	Select	44
Time Zone.....	19	started	44
Toolbar Pane	14, 46	Wallboard.....	1, 25, 34, 39, 40, 43, 44, 45
Traffic Management.....	23	Wallboard 10	
Transmit Only RJ45.....	42	access.....	28
Transmit/Receive.....	41	Wallboard 10.....	25, 28
Tri-color.....	32	Wallboard 22.....	32, 33, 34
Tri-colour.....	40	Wallboard Client.....	3, 4, 6, 7, 43
True Color		Wallboard ID	42
set.....	9	Wallboard Manager.....	1, 2, 24, 46
True Color	9	Wallboard Properties	44
Trunk GP.....	23	Wallboard Server	
Trunk Groups.....	24	starting	43
Trunk Grp.....	23	Wallboard Server	4, 6, 7, 43, 44
Trunk Lines	24	Wallboard Server application.....	25, 32, 39, 40
Trunk Statistics	24	Wallboard Server/Client.....	57
Trunk/DDI.....	24	Wallboard Terminal Box RJ45 Connector Pin	
Trunks	23, 24	Out Details	36
U		Wallboard x+1 RJ45 Socket	36
Uninstall	47	Wallboard's DB9	40
United States	9, 19	Wallboard's RS485	39
Unticked.....	19	Wallbrd.mdb.....	51
Uo	22	WARNING.....	2, 34
Update button	14, 45	WB 22	22
Upgrade		WB Alarm Scripts.....	45
Database	2	WBServer.....	51
SQL 2000 Procedure.....	55	Web Call Back	1
Upgrade	2, 55	Welcome	14, 47, 55
USA.....	9, 19	Win 2000/2003 Compatible	9
USB.....	21, 22	Windows	9, 14, 48, 52, 54
Use		Windows 2000	
Call Center View	3	IIS.....	10
Client.....	7	Windows 2000	10, 11, 14
Login Idle Period.....	24	Windows 2000 Professional SP2.....	9
My Computer	14	Windows 2000/2003	
Repair	47	running	4
Spectrum Remote Controller.....	39	Windows 2000/2003	4
Use.....	2, 3, 7, 14, 24, 39, 47	Windows 2000/3	9
User		Windows 2000/3 Modifications	9
copy	51	Windows 2003	
User	17, 51, 57	ASP.NET	10
User Name.....	45	Windows 2003	10, 11
User Rights Assignment	17	Windows 2003 Server.....	9, 47
Utilising Interactive Directory	1	Windows Authentication	12
V		Windows Components	10
View		Windows Event Viewer	11
CD.....	12, 14, 48, 52, 54	Windows Explorer.....	17
Delta Server.....	46	Windows taskbar	
General.....	23	Start button	43, 46
Report SDK.....	14	Windows taskbar.....	12, 43, 46, 48, 49, 52, 54
View	12, 14, 23, 46, 48, 52, 54	Workforce Management	1, 6, 14
View Active PC Wallboard	44	Workforce Management Interface	1, 2, 7
VM.....	24	World Wide Web Server	10
Voice Mail	24	Write.....	17
Voice Mail Pro.....	4, 6, 24	Www.advatel.com	40
Voice Processing Administration	4	Www.specorp.com.....	39
W		X	
Wall	33	XXXX	23
Wall Mounting	33	Y	
Wallboard		Yellow	31, 36
check	44	Yellow Text	38
remove.....	44	Yes.....	51, 52, 55

Index

Yes button.....44

Performance figures and data quoted in this document are typical, and must be specifically confirmed in writing by Avaya before they become applicable to any particular order or contract.

The company reserves the right to make alterations or amendments to the detailed specifications at its discretion. The publication of information in this document does not imply freedom from patent or other protective rights of Avaya or others.

Intellectual property related to this product (including trademarks) and registered to Lucent Technologies have been transferred or licensed to Avaya.

All trademarks identified by the ® or ™ are registered trademarks or trademarks, respectively, of Avaya Inc. All other trademarks are the property of their respective owners.

This document contains proprietary information of Avaya and is not to be disclosed or used except in accordance with applicable agreements.

Any comments or suggestions regarding this document should be sent to "wgctechpubs@avaya.com".

© 2005 Avaya Inc. All rights reserved.

Avaya
Sterling Court
15 - 21 Mundells
Welwyn Garden City
Hertfordshire
AL7 1LZ
England

Tel: +44 (0) 1707 392200

Fax: +44 (0) 1707 376933

Web: <http://www.avaya.com>